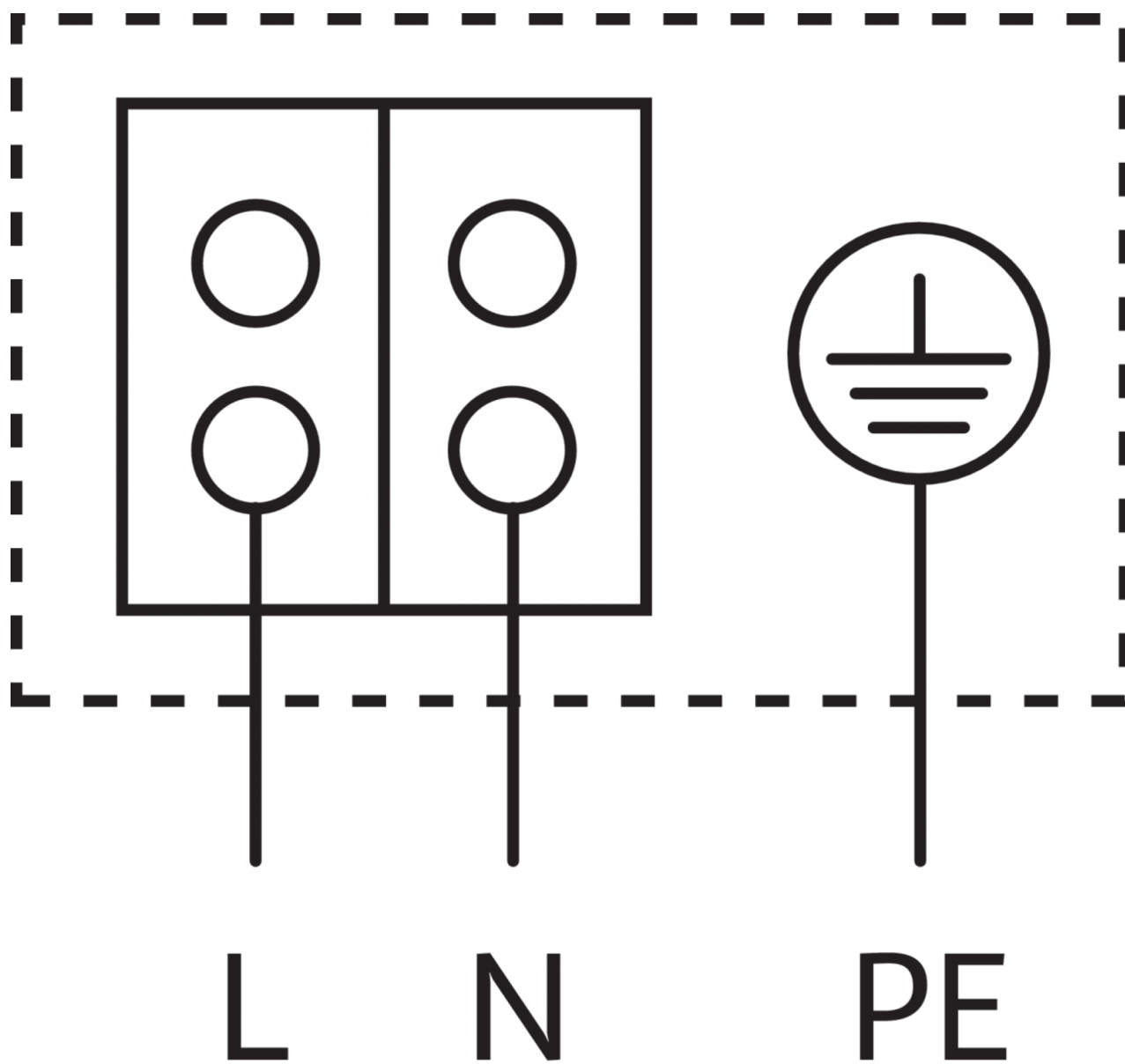


Wiring diagram: Yonos PICO 25/1-6-130



Blocking current-proof motor

Single-phase motor (EM) 2-pole □ 1~230 V, 50 Hz