

Data sheet: Yonos PICO 25/1-6-130

Hydraulic data

Maximum operating pressure P_N	10 bar
Flow max Q_{max}	3.6
Minimum suction head at 50 °C m	0.5
Minimum suction head at 95 °C m	3.0
Minimum suction head at 110 °C	10.0
Min. fluid temperature T_{min}	-10 °C
Max. fluid temperature for max. ambient temperature of +25 °C T	110 °C
^{max} Max. fluid temperature for max. ambient temperature of +40 °C T	95 °C
^{max} Min. ambient temperature T_{min}	-10 °C
Max. ambient temperature T_{max}	40 °C

Materials

Pump housing	Cast iron
Impeller	PP-GF40
Shaft	Stainless steel
Bearing	Carbon, metal-impregnated

Information for order placements

Brand	Wilo
Product description	Yonos PICO 25/1-6-130
EAN number	4048482758480
Article number	4215516
Net weight, approx. m	2 kg
Gross weight, approx. m	1.9 kg
Length with packaging	194 mm
Height with packaging	105 mm
Width with packaging	174 mm
Packaging property	Sales packaging
Packaging type	Cardboard box
Minimum order quantity	1

Motor data

Energy efficiency index (EEI)	0.20
Mains connection	1~230 V ±10%, 50/60 Hz
Min. speed n_{min}	800 1/min
Max. speed n_{max}	4200 1/min
Power consumption $P_{1 min}$	4.0 W
Power consumption $P_{1 max}$	40.0 W
Emitted interference	EN 61000-6-3
Interference resistance	EN 61000-6-2
Electromagnetic compatibility	EN 61800-3
Threaded cable connection	1 x PG11
Insulation class	F
Protection class	IPX2D

Installation dimensions

Pipe connection on the pressure side DN_d	G 1½
Pipe connection on the suction side DN_s	G 1½
Port-to-port length L_0	130 mm

Tender text: Yonos PICO 25/1-6-130

High-efficiency pump Wilo-Yonos PICO, electronically controlled. Maintenance-free glandless circulator with screwed connection, blocking-current proof synchronous motor according to ECM technology and built-in electronic power control for variable differential pressure control. Can be used for all heating and air-conditioning applications. Control mode can be selected in accordance with the radiator/underfloor heating application.

Standard-equipped with:

- Preselectable control modes for optimum load adjustment: Differential pressure constant (Δp -c), differential pressure variable (Δp -v), constant speed (3 pump curves)
- Integrated motor protection
- LED for setting the setpoint and displaying the current consumption in watts
- Automatic deblocking function
- Manual pump venting function for venting the rotor chamber
- Manual restart

Operating data

Fluid media	Water
Fluid temperature <i>T</i>	-10 °C
Ambient temperature <i>T</i>	-10 °C
Maximum operating pressure <i>PN</i>	10 bar
Minimum suction head at 50 °C <i>m</i>	0.5
Minimum suction head at 95 °C <i>m</i>	3.0
Minimum suction head at 110 °C	10.0

Materials

Pump housing	Cast iron
Impeller	PP-GF40
Shaft	Stainless steel
Bearing	Carbon, metal-impregnated

Information for order placements

Brand	Wilo
Product description	Yonos PICO 25/1-6-130
Net weight, approx. <i>m</i>	2 kg
Article number	4215516

Motor data

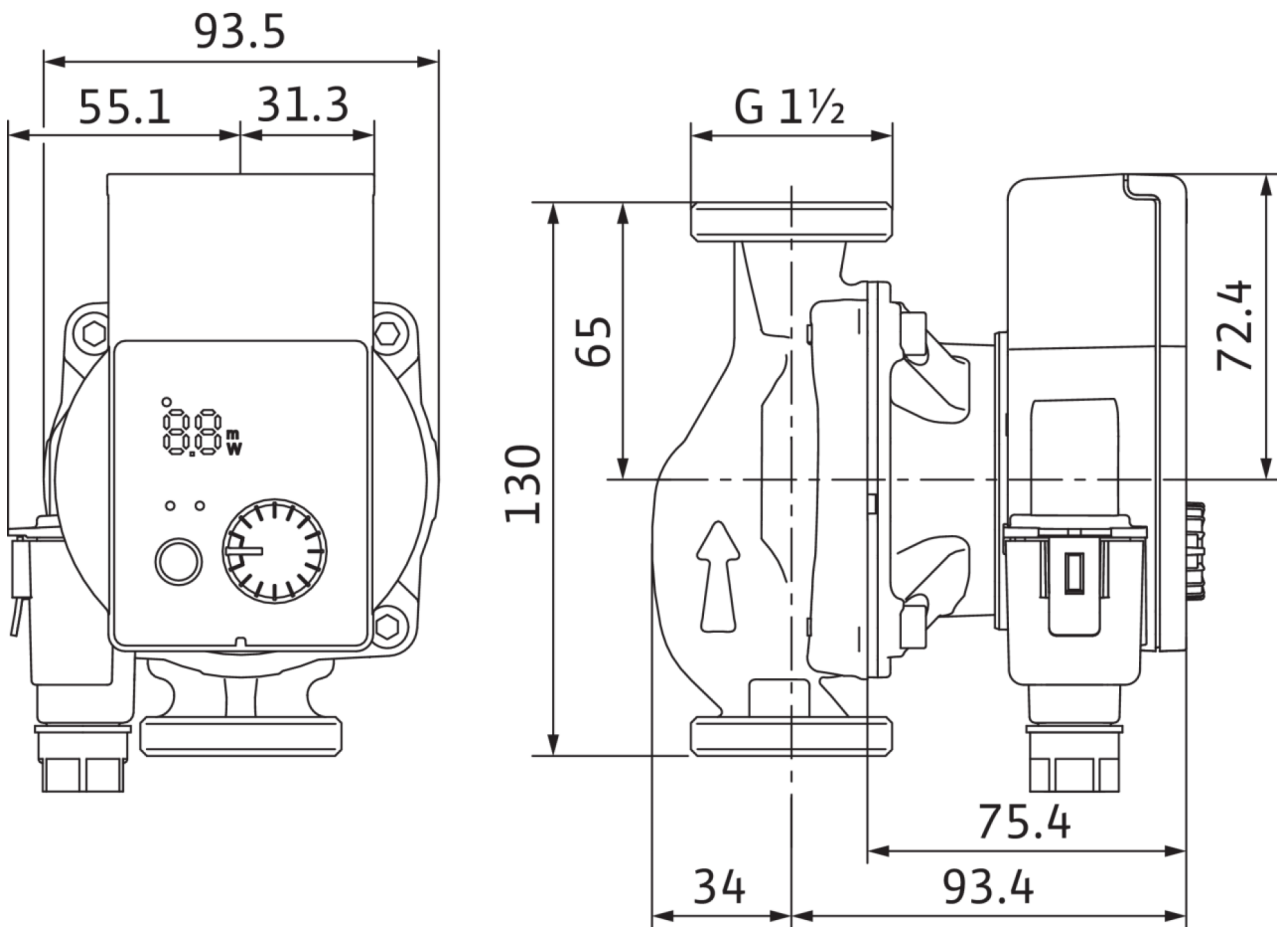
Energy efficiency index (EEI)	0.20
Emitted interference	EN 61000-6-3
Interference resistance	EN 61000-6-2
Mains connection	1~230 V, 50/60 Hz
Power consumption $P_{1 \max}$	40.0 W
Min. speed n_{\min}	800 1/min
Max. speed n_{\max}	4200 1/min
Protection class motor	IPX2D
Threaded cable connection	1 x PG11

Installation dimensions

Pipe connection on the suction side <i>DN_s</i>	G 1½
Pipe connection on the pressure side <i>DN_d</i>	G 1½
Port-to-port length <i>L₀</i>	130 mm

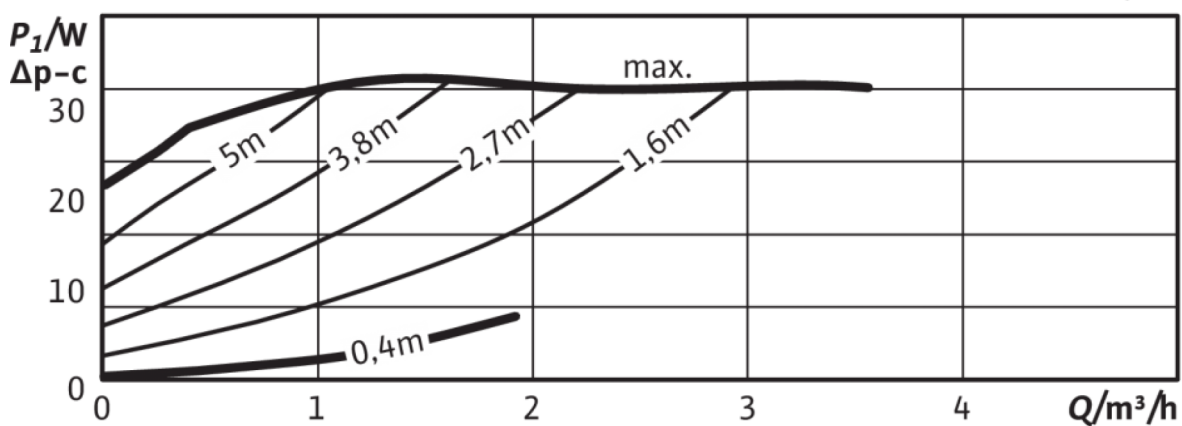
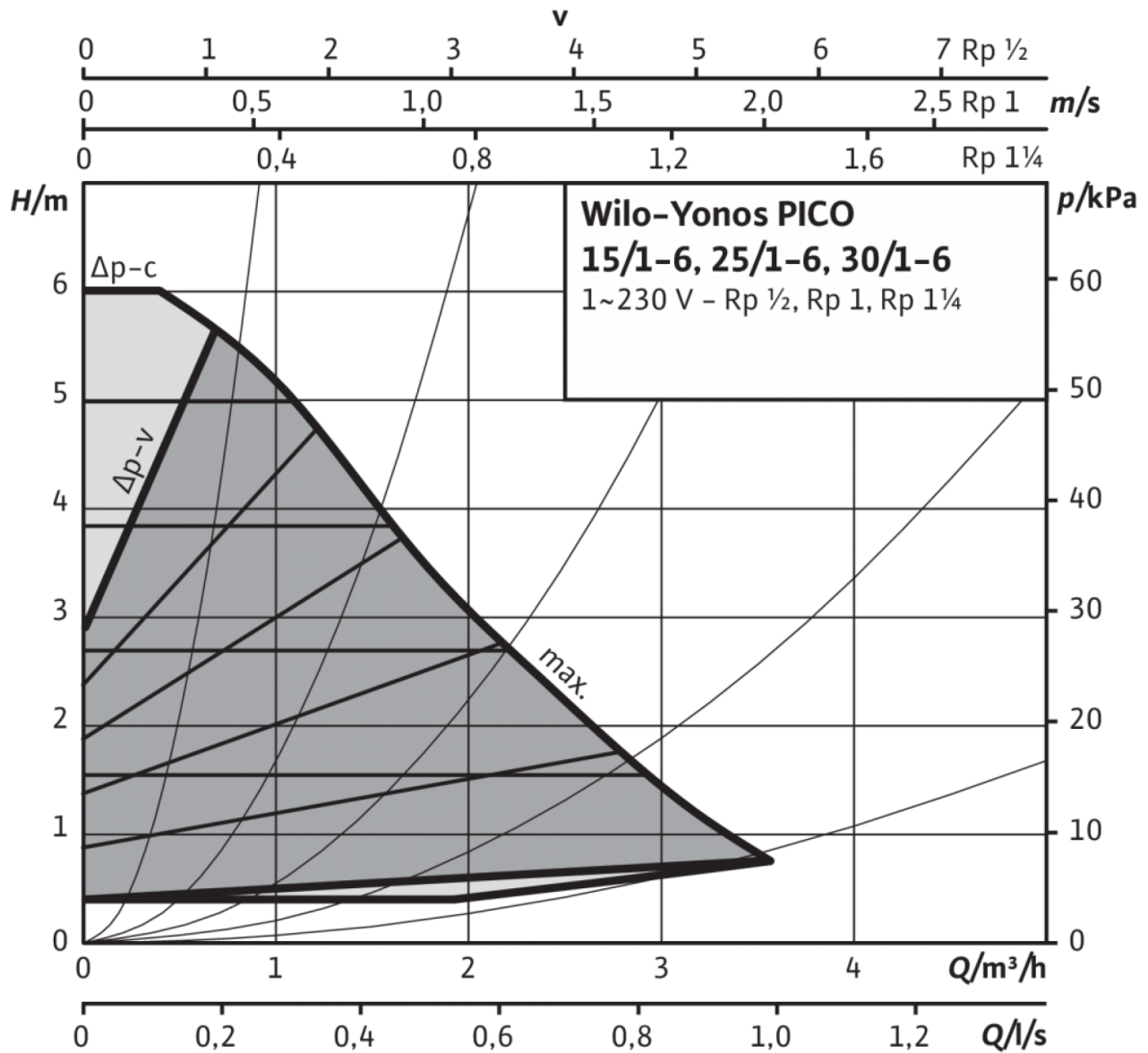
Dimensions and dimensions drawings: Yonos PICO 25/1-6-130

4215516_ConGraph_yonos_pico_row_130_dim_01_1708



Pump curves: Yonos PICO 25/1-6-130

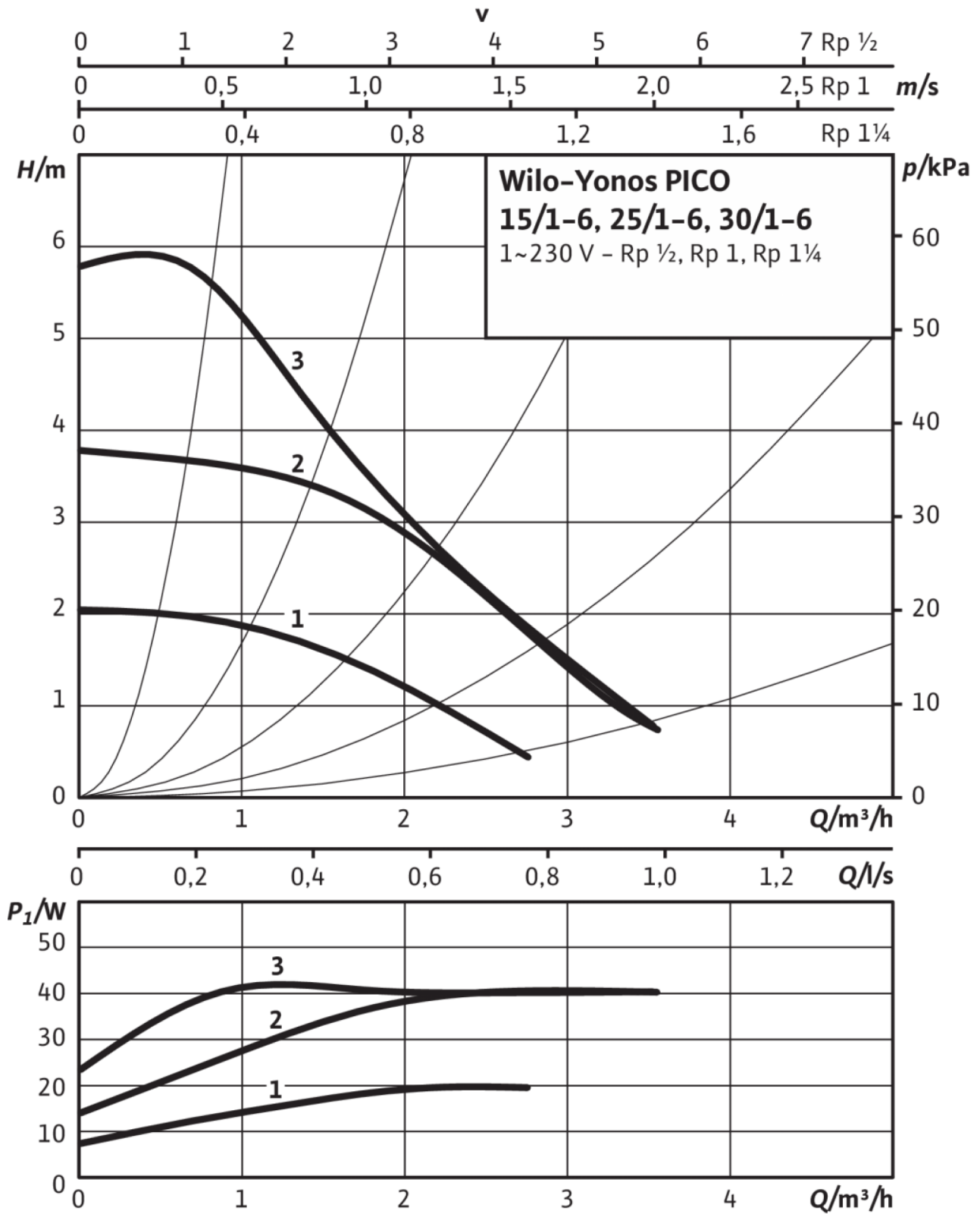
Yonos PICO 15/1-6, 25/1-6, 30/1-6, Δp -v (variable)



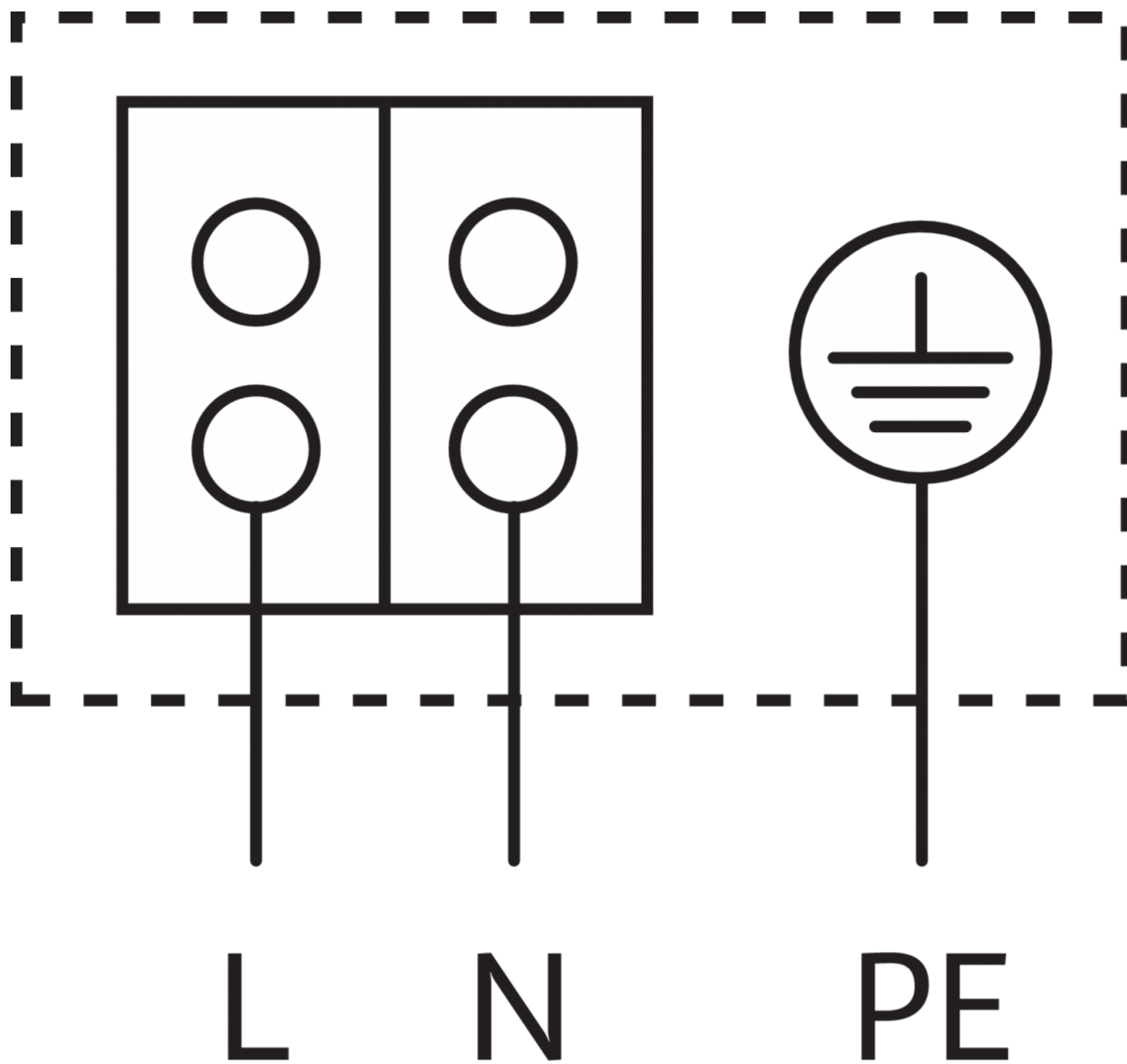
Yonos PICO 15/1-6, 25/1-6, 30/1-6, Δp -c (constant)

Pump curves: Yonos PICO 25/1-6-130

Yonos PICO 15/1-6, 25/1-6, 30/1-6, Δp -c (constant)



Wiring diagram: Yonos PICO 25/1-6-130



Blocking current-proof motor

Single-phase motor (EM) 2-pole □ 1~230 V, 50 Hz

Ordering information: Yonos PICO 25/1-6-130

Brand	Wilo
Product description	Yonos PICO 25/1-6-130
EAN number	4048482758480
Article number	4215516
Gross weight, approx. <i>m</i>	1.9 kg
Net weight, approx. <i>m</i>	2 kg
Overall length <i>L</i>	138.0 mm
Height without packaging <i>H</i>	102 mm
Colour	Green
Packaging property	Sales packaging
Packaging type	Cardboard box
Number per layer	24
Width without packaging <i>B</i>	131.0 mm
Minimum order quantity	1
Pieces per pallet	198
Date of sales availability	2017-09-01
Date of introduction	2017-09-01