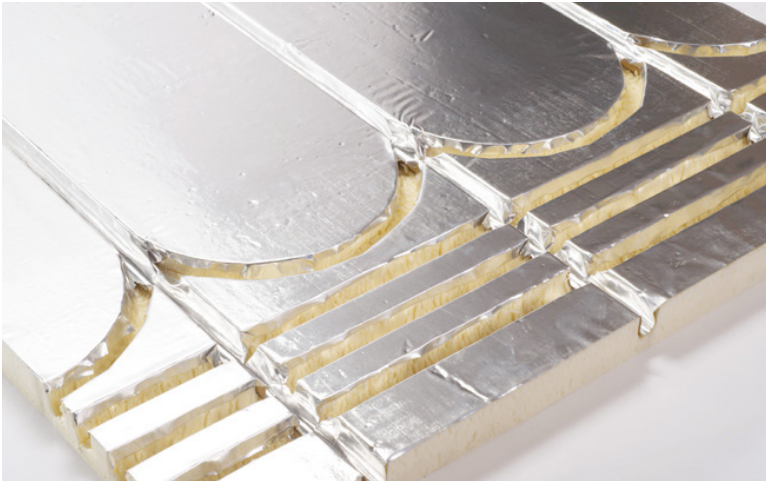
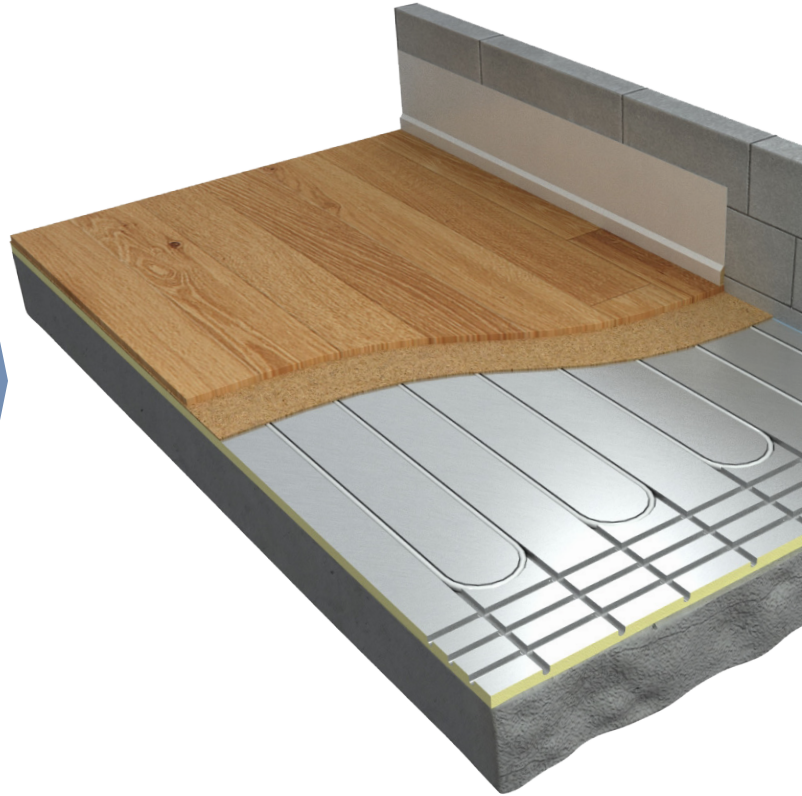




Overboard - Slim 12 Light Floor Construction - FC4B

KEY BENEFITS >>>

- > Ideal for when underfloor heating wasn't considered
- > No wet trade requirements – no drying times
- > Ideal for intermediate floors in apartments
- > Lightweight
- > Engineered board can be laid directly on top
- > Ultra thin - Only 20mm
- > Feed and end returns included within panel
- > Improves thermal performance & response times
- > High grade insulation with better insulating properties than standard EPS insulation



PRODUCT LIST >

XF BOARDS (EXTRUDED)

SIZE	QTY	PRODUCT CODE
Luxusheat Overboard Light 20mm (1250x600x20mm)	1	OBXPS

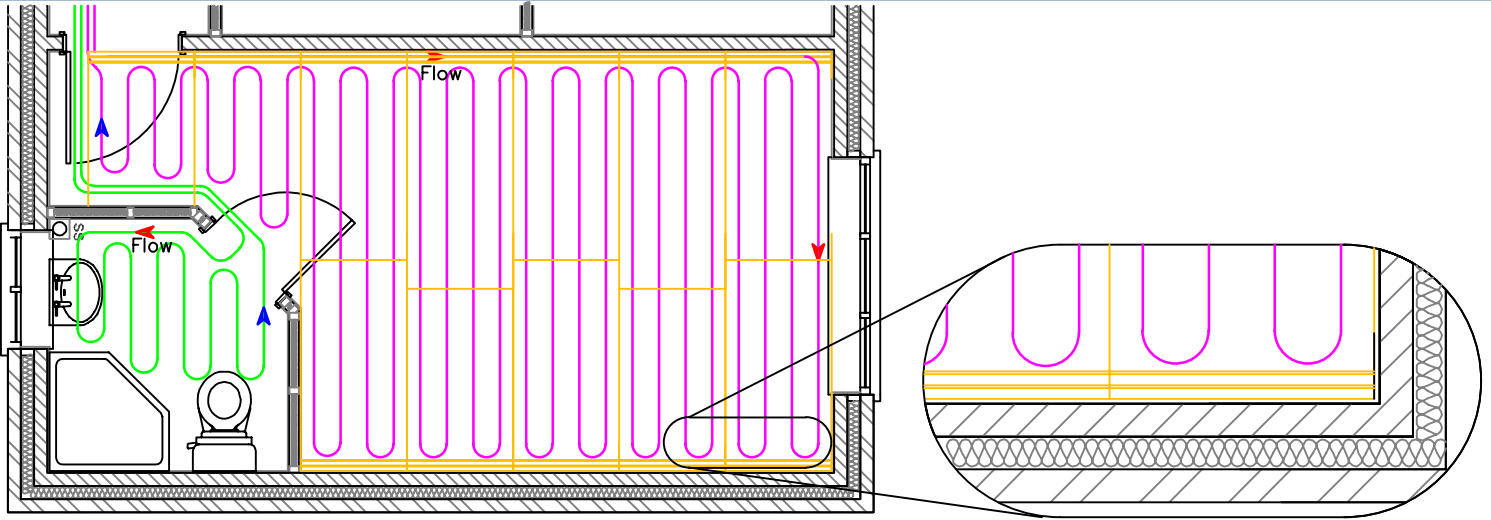
< OVERVIEW

This is an ideal system for retrofitting underfloor heating, or as an alternative to screed floors. The system can also be installed when underfloor heating was not considered at the design stage and the insulation and concrete slab has already been laid. The high grade extruded XF pre-grooved and foil faced insulation can be laid on top of any sub floor with the final floor finish "floated" on top. The grooves accept 12mm pipe (usually FlexiPex) at 150mm centres and the boards come complete with end returns and feeder runs so there is no need to purchase additional items.

- Best suited for FlexiPex 12mm Pipe
- Maximum Outputs :- 70w/m²
- Flow Temperature :- 45 – 58°C

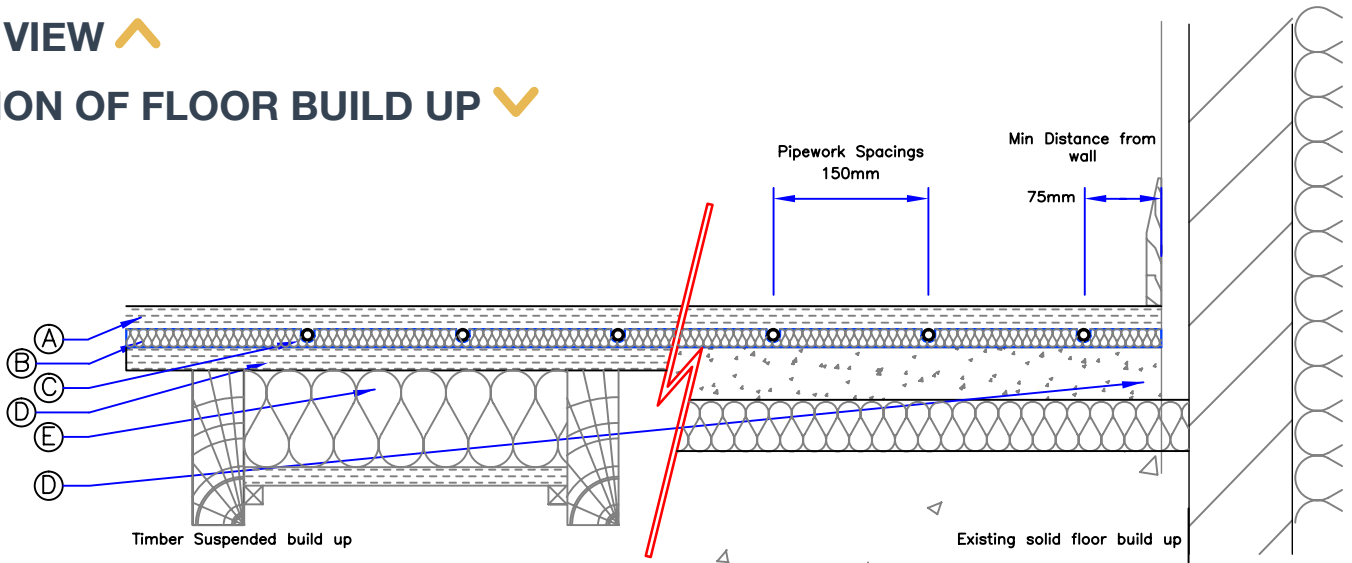


Overboard - Slim 12 Light Floor Construction - FC4B



PLAN VIEW 

SECTION OF FLOOR BUILD UP 



A > Floor Finish.

B > **Grooved and Foiled insulation board (1250 x 600 x 20mm)** - Laid on a flat surface, any variances in floor should be levelled using appropriate self levelling screed.

C > **UFH Pipe** - Luxus FlexiPex 12mm Heating Pipework laid at 150mm centres in pre-grooved slots and laid approximately 75mm away from walls.

D > Existing floor build up.

INSULATION TECHNICAL DATA 

Expanded Polystyrene - Grade XF250 (BS EN 13164)
Grooved at 150mm Centres for 12x2mm Luxus FlexiPex

Aluminium Foil thickness: 45 Microns

Thermal Conductivity: 0.033 W/mK

Compressive Strength: 250kPa @ 10% Compression

Fire Classification: Euroclass E



Overboard - Slim 12 Light Floor Construction - FC4B

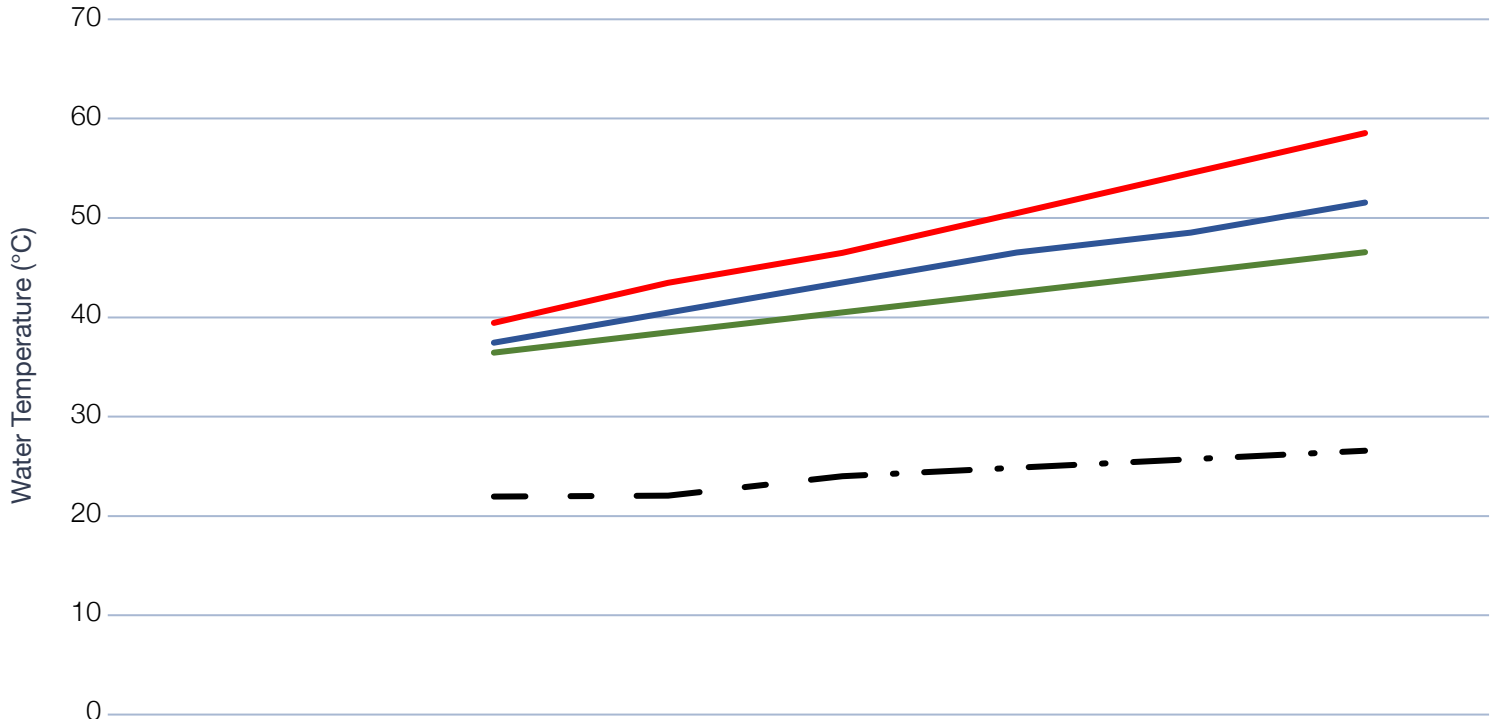
OUTPUTS/WATER TEMPERATURES >

The available output of the system will vary depending on the overall resistance of the floor finish. The table below is for guidance only and actual outputs and temperatures may vary slightly.

FLOOR FINISHES >

The table below summarises acceptable thermal resistance for typical floor finished adhering to the BS EN 1264 Part 2. Tog value is a textile industry measure of thermal resistance 1 tog = 0.10m² K/W

Heat output / Flow water Temperature (Slim 12 Light)



	Output w/m ²					
	20	30	40	50	60	70
Tile / Stone	37	39	41	43	45	47
Laminate / Vinyl	38	41	44	47	49	52
Carpet	40	44	47	51	55	59
Floor Temp	22	22	24	25	26	27