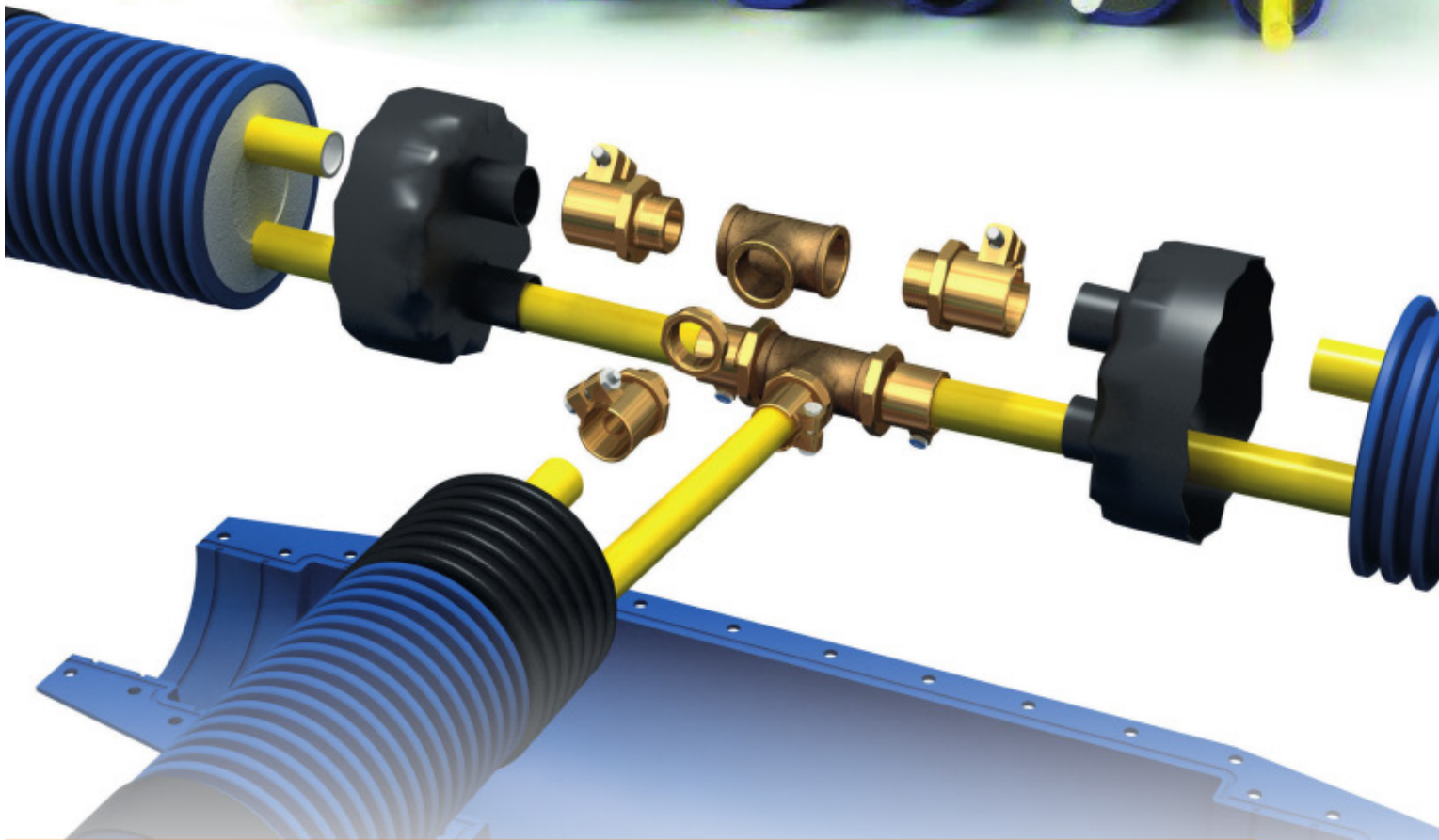




MICROFLEX[®]

Pre-insulated flexible piping system



Price List - April 2022

Microflex

Microflex manufactures products that contribute to a sustainable future. The products help keep energy consumption and CO2 emissions to a minimum.

Microflex pipes are durable, contain no pollutants and are non-toxic. All materials used are produced without CFCs (chlorofluorocarbons) that can deplete the ozone layer. During the production process we are highly conscious of energy consumption and there is no pollution of air, water or soil.

Microflex. Ideal for renewable energy applications



The Water Supply (Water Fittings) Regulations and Water Supply (Water Fittings) (Scotland) Byelaws, play an important role in protecting public health, safeguarding water supplies and promoting the efficient use of water within customers' premises across the UK.

They set legal requirements for the design, installation, operation and maintenance of plumbing systems, water fittings and water-using appliances. They have a specific purpose to prevent misuse, waste, undue consumption or erroneous measurement of water and, most importantly, to prevent contamination of drinking water.

Contents

Ground Work	3
Easy 1, 2, 3.	4
Pre-insulated Pipe	5
Pex PN6 Heating Pipe	5
Pex PN10 Sanitary Pipe	5
Pex QUADRO Pipe	5
Packs	6
Packs - 10m to 25m	6
Fittings - Brass	7
Straight Terminal Connections - Male	7
Elbow Connections	7
Straight Coupling	8
Tee Connections	8
Underground Insulation Kits	9
Underground Insulated Casings	9
Rubber End Caps (EDPM)	9
Delivery Charges	10
Declaration of Conformity	11
Terms & Conditions	12

Ground Work



The Microflex pipes are laid in trenches in the ground.

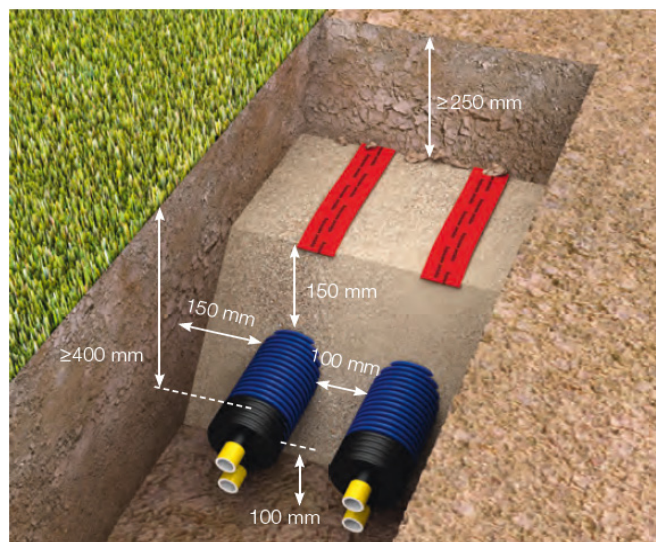
It is most practical to lay the excavated ground alongside the trench.

The following steps can be performed from the other side:

- Position the roll alongside the trench
- Remove the packaging foil
- Place the end of the pipe in position
- Cut the outermost straps
- Roll the pipe alongside or straight into the trench
- Cut the middle straps
- Roll out further
- Cut the innermost straps
- Roll out completely
- Apply the dust caps or shrink caps
- Connect the couplings on the pipes
- Conduct the pressure test - fill in the report
- Partially fill the trench with a first layer
- Apply the warning tape
- Fill up the trench completely

The following guidelines should be followed during pipe installation:

- Lay the pipes in a bed of sand
- Avoid damaging the casing, remove sharp objects from the ground
- Always grasp the transport pipe and not the outer tube
- Keep to the stated bending radii
- Lay the in a serpentine course
- The code of good craftsmanship for installing under ground pipes must be observed. Read our installation instructions
- Sketch how and where the pipe network runs on a plan (including branches and connections)

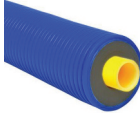






A Microflex pipe buried at a depth of no less than 50 cm and no more than 6 metres can bear a load of up to 60 tonnes.

Easy 1, 2, 3.



Stage 1

Pick your pipe and specify length

	Code	Description	
Microflex UNO PN6 	M7525C	25/2.3mm x 75mm	
	M9032C	32/2.9mm x 90mm	
	M16040C	40/3.7mm x 160mm	
	M16050C	50/4.6mm x 160mm	
	M16063C	63/5.8mm x 160mm	
	M20075C	75/6.8mm x 200mm	
	M20090C	90/8.2mm x 200mm	
	M200110C	110/10.0mm x 200mm	
M200125C	125/11.4mm x 200mm		
Microflex Duo PN6 	MD16025C	2 x 25/2.3mm x 160mm	
	MD16032C	2 x 32/2.9mm x 160mm	
	MD16040C	2 x 40/3.7mm x 160mm	
	MD20050C	2 x 50/4.6mm x 200mm	
	MD20063C	2 x 63/5.8mm x 200mm	
Microflex UNO PN10 	M7525S	25/3.5mm x 75mm	
	M9032S	32/4.4mm x 90mm	
	M12540S	40/5.5mm x 125mm	
	M12550S	50/6.9mm x 125mm	
	M12563S	63/8.7mm x 125mm	
Microflex DUO PN10 	MD16025S	2 x 25/3.5mm x 160mm	
	MD1603225S	1 x 32/4.4mm, 1 x 25/3.5mm x 160mm	
	MD1604025S	1 x 40/5.5mm, 1 x 25/3.5mm x 160mm	
	MD1605025S	1 x 50/6.9mm, 1 x 25/3.5mm x 160mm	
	MD1605032S	1 x 50/6.9mm, 1 x 32/4.4mm x 160mm	
	MD1605040S	1 x 50/6.9mm, 1 x 40/5.5mm x 160mm	
	Microflex Quadro 	MQ16025C2520S	2 x 25/2.3mm, 1 x 25/3.5mm, 1 x 20/2.8mm x 160mm
		MQ16032C2520S	2 x 32/2.9mm, 1 x 25/3.5mm, 1 x 20/2.8mm x 160mm
MQ16032C3225S		2 x 32/2.9mm, 1 x 32/4.4mm, 1 x 25/3.5mm x 160mm	

Stage 2

Pick your end cap (one for each end)

	Code	Description
Rubber end-cap 	MG751832	Uno 75/18-25-28-32
	MG901840	Uno 90/18-25-32-40
	MG1603250	Uno 160/32-40-50
	MG1603250	Uno 160/32-40-50
	MG1606390	Uno 160/63-75-90
	MG20075125	Uno 200/75-90-110-125
	MG20075125	Uno 200/75-90-110-125
	MG20075125	Uno 200/75-90-110-125
	MG20075125	Uno 200/75-90-110-125
	MG20075125	Uno 200/75-90-110-125
Rubber end-cap 	MGD1602550	Duo 160/25-32-40-50
	MGD1602550	Duo 160/25-32-40-50
	MGD1602550	Duo 160/25-32-40-50
	MGD2004063	Duo 200/40-50-63
	MGD2004063	Duo 200/40-50-63
	MGD2004063	Duo 200/40-50-63
Rubber end-cap 	MG751832	Uno 75/18-25-28-32
	MG901840	Uno 90/18-25-32-40
	MG1254063	Uno 125/40-50-63
	MG1254063	Uno 125/40-50-63
	MG1254063	Uno 125/40-50-63
Rubber end-cap 	MGD1602550	Duo 160/25-32-40-50
	MGD1602550	Duo 160/25-32-40-50
	MGD1602550	Duo 160/25-32-40-50
	MGD1602550	Duo 160/25-32-40-50
	MGD1602550	Duo 160/25-32-40-50
	MGD1602550	Duo 160/25-32-40-50
	MGD1602550	Duo 160/25-32-40-50
	MGD1602550	Duo 160/25-32-40-50
	MGD1602550	Duo 160/25-32-40-50
Rubber end-cap 	MGQ1602532	Quadro 160/20-25-32
	MGQ1602532	Quadro 160/20-25-32
	MGQ1602532	Quadro 160/20-25-32

Stage 3

Pick your coupler

	Code	Description	
PE-X Coupling PN6 	MJ3413425/23	25mm x 3/4" BSP M	
	J3414432/29	32mm x 1" BSP M	
	MJ3415440/37	40mm x 1.25" BSP M	
	MJ3416450/46	50mm x 1.5" BSP M	
	MJ341263/58	63mm x 2" BSP M	
	MJ34121275/68	75mm x 2-1/2" BSP	
	MJ341390/82	90mm x 3" BSP M	
	MJ3414110/10	110mm x 4" BSP M	
MJ3414125/114	125mm x 4" BSP M		
PE-X Coupling PN6 	MJ3413425/23	25mm x 3/4" BSP M	
	MJ3414432/29	32mm x 1" BSP M	
	MJ3415440/37	40mm x 1.25" BSP M	
	MJ3416450/46	50mm x 1.5" BSP M	
	MJ341263/58	63mm x 2" BSP M	
PE-X Coupling PN10 	MJ3413425/35	25mm x 3/4" BSP M 10 Bar (S)	
	MJ3414432/44	32mm x 1" BSP M (10 Bars)	
	MJ3415440/55	40mm x 1.25" BSP M 10 Bars (S)	
	MJ3416450/69	50mm x 1.50" BSP M 10 Bars (S)	
	MJ341263/87	63mm x 2" BSP M (10 Bar)	
PE-X Coupling PN10 	MJ3413425/35	25mm x 3/4" BSP M 10 Bar (S)	
	MJ3414432/44	32mm x 1" BSP M (10 Bars)	
	MJ3413425/35	25mm x 3/4" BSP M 10 Bar (S)	
	MJ3415440/55	40mm x 1.25" BSP M 10 Bars (S)	
	MJ3413425/35	25mm x 3/4" BSP M 10 Bar (S)	
	MJ3416450/69	50mm x 1.50" BSP M 10 Bars (S)	
	MJ3413425/35	25mm x 3/4" BSP M 10 Bar (S)	
	MJ3416450/69	50mm x 1.50" BSP M 10 Bars (S)	
	MJ3414432/44	32mm x 1" BSP M (10 Bars)	
MJ3416450/69	50mm x 1.50" BSP M 10 Bars (S)		
MJ3415440/55	40mm x 1.25" BSP M 10 Bars (S)		
PE-X Coupling 	MJ3413425/23	25mm x 3/4" BSP M	
	MJ3413425/35	25mm x 3/4" BSP M 10 Bar (S)	
	MJ3413420/28	20mm x 3/4" BSP M 10 Bar (S)	
	MJ3414432/29	32mm x 1" BSP M	
	MJ3413425/35	25mm x 3/4" BSP M 10 Bar (S)	
	MJ3413420/28	20mm x 3/4" BSP M 10 Bar (S)	
	MJ3414432/29	32mm x 1" BSP M	
	MJ3414432/44	32mm x 1" BSP M (10 Bars)	
	MJ3413425/35	25mm x 3/4" BSP M 10 Bar (S)	



Pre-insulated Pipe

Pex PN6 Heating Pipe

Description	Type	Code	Lgth	Price p/mtr
Uno Pipe PN6 Heating				
Pex Uno Pipe - 25mm / 75mm	25 x 2.3mm	M7525C	1	£24.05
Pex Uno Pipe - 32mm / 90mm	32 x 2.9mm	M9032C	1	£28.52
Pex Uno Pipe - 40mm / 160mm	40 x 4.6mm	M16040C	1	£50.89
Pex Uno Pipe - 50mm / 160mm	50 x 4.6mm	M16050C	1	£58.39
Pex Uno Pipe - 63mm / 160mm	63 x 5.8mm	M16063C	1	£77.52
Pex Uno Pipe - 75mm / 200mm	75 x 6.8mm	M20075C	1	£90.67
Pex Uno Pipe - 90mm / 200mm	90 x 8.2mm	M20090C	1	£99.43
Pex Uno Pipe - 110mm / 200mm	110 x 10mm	M200110C	1	£111.07
Pex Uno Pipe - 125mm / 200mm	125 x 11.4mm	M200125C	1	£159.57



Duo Pipe PN6 Heating

Pex Uno Pipe - 2 x 25mm / 75mm	25 x 2.5mm	MD16025C	1	£49.03
Pex Uno Pipe - 2 x 32mm / 90mm	32 x 3mm	MD16032C	1	£57.78
Pex Uno Pipe - 2 x 40mm / 160mm	40 x 4mm	MD16040C	1	£71.69
Pex Uno Pipe - 2 x 50mm / 160mm	50 x 4.5mm	MD20050C	1	£94.97
Pex Uno Pipe - 2 x 50mm / 160mm	63 x 5.8mm	MD20063C	1	£112.36



Pex PN10 Sanitary Pipe

Description	Type	Code	Lgth	Price p/mtr
Uno Pipe PN10 Sanitary				
Pex Uno Pipe - 25mm / 75mm	25 x 2.3mm	M7525S	1	£24.39
Pex Uno Pipe - 32mm / 90mm	32 x 2.9mm	M9032S	1	£30.66
Pex Uno Pipe - 40mm / 160mm	40 x 4.6mm	M12540S	1	£49.97
Pex Uno Pipe - 50mm / 160mm	50 x 4.6mm	M12550S	1	£67.28
Pex Uno Pipe - 63mm / 160mm	63 x 5.8mm	M12563S	1	£96.02



Duo Pipe PN10 Sanitary

Pex Uno Pipe - 25mm x 25mm / 160mm	25 x 2.5mm	MD16025S	1	£50.81
Pex Uno Pipe - 32mm x 25mm / 160mm	32 x 3mm	MD160325S	1	£62.94
Pex Uno Pipe - 40mm x 25mm / 160mm	40 x 4mm	MD1604025S	1	£74.20
Pex Uno Pipe - 50mm x 25mm / 160mm	50 x 4.5mm	MD1605025S	1	£106.39
Pex Uno Pipe - 50mm x 32mm / 160mm	50 x 4.5mm	MD1605032S	1	£116.14
Pex Uno Pipe - 50mm x 40mm / 160mm	63 x 4.5mm	MD1605040S	1	POA



Pex QUADRO Pipe

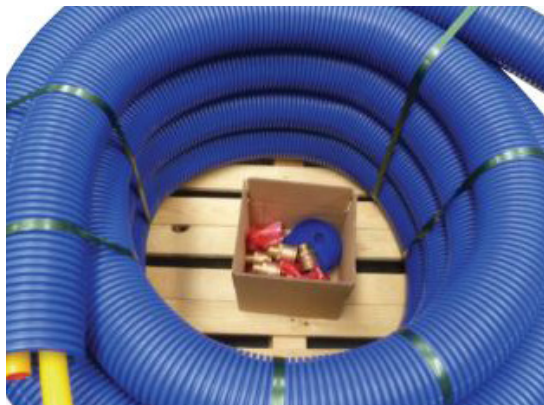
Description	Code	Lgth	Price p/mtr
QUADRO Pipe - 2 x PN6 Heating & 2x PN10 Sanitary			
Pex QUADRO Pipe - PN6(H) 2 x 25mm / PN10(S) 25 & 20mm	MQ16025C2520S	1	£94.71
Pex QUADRO Pipe - PN6(H) 2 x 32mm / PN10(S) 25 & 20mm	MQ16032C2520S	1	£105.90
Pex QUADRO Pipe - PN6(H) 2 x 32mm / PN10(S) 32 & 25mm	MQ16032C3225S	1	£117.16



Packs

Packs - 10m to 25m

Packs
10m to 25m / 25mm & 32mm



25mm & 32mm Pipe Sizes 10m, 15, 20 & 25m Lengths

Standard Microflex pipe pack containing essential pipe and accessories in one package

Includes various lengths of PN6 Duo Microflex Pre-insulated Pipe

- 4 x Microflex PE-X Couplings
- 2 x Dust caps for pipes
- 4 x Fix points for pipes
- 1 x Microflex Installation Manual

Packs are placed on pallets and sealed using shrink wrap and heat sealing

Description	Type	Code	Qty	Price Each
Packs - 10 to 25m Inc. Pipe, Fittings & Caps				
10m Pack - 2 x 25mm Heating	10m x 25mm	MD12525CPACK10	1	£697.25
15m Pack - 2 x 25mm Heating	15m x 25mm	MD12525CPACK15	1	£971.24
20m Pack - 2 x 25mm Heating	20m x 25mm	MD12525CPACK20	1	£1,245.25
25m Pack - 2 x 25mm Heating	25m x 25mm	MD12525CPACK25	1	£1,519.24
10m Pack - 2 x 32mm Heating	10m x 32mm	MD12532CPACK10	1	£877.99
15m Pack - 2 x 32mm Heating	15m x 32mm	MD12532CPACK15	1	£1,182.47
20m Pack - 2 x 32mm Heating	20m x 32mm	MD12532CPACK20	1	£1,486.98
25m Pack - 2 x 32mm Heating	25m x 32mm	MD12532CPACK25	1	£1,791.45

Fittings - Brass

Straight Terminal Connections - Male

Description	Type	Code	Qty	Price Each
PN6 Heating - Straight Male				
25mm x ¾" BSP Male (6 Bar)	25mm - PN6	MJ3413425/23	1	£25.61
32mm x 1" BSP Male (6 Bar)	32mm - PN6	MJ3414432/29	1	£33.58
40mm x 1 ¼" BSP Male (6 Bar)	40mm - PN6	MJ3415440/37	1	£42.05
50mm x 1 ½" BSP Male (6 Bar)	50mm - PN6	MJ3416450/46	1	£49.00
63mm x 2" BSP Male (6 Bar)	63mm - PN6	MJ341263/58	1	£79.86
75mm x 2 ½" BSP Male (6 Bar)	75mm - PN6	MJ34121275/68	1	£102.30
90mm x 3" BSP Male (6 Bar)	90mm - PN6	MJ341390/82	1	£166.31
110mm x 4" BSP Male (6 Bar)	110mm - PN6	MJ3414110/10	1	£279.83
125mm x 4" BSP Male (6 Bar)	125mm - PN6	MJ3414125/114	1	£414.77

Straight Male
(Heating)



PN10 Sanitary - Straight Male				
20mm x ¾" BSP Male (10 Bar)	20mm - PN10	MJ3413420/28	1	£25.61
25mm x ¾" BSP Male (10 Bar)	25mm - PN10	MJ3413425/23	1	£33.58
32mm x 1" BSP Male (10 Bar)	32mm - PN10	MJ3414432/29	1	£33.58
40mm x 1 ¼" BSP Male (10 Bar)	40mm - PN10	MJ3415440/37	1	£42.05
50mm x 1 ½" BSP Male (10 Bar)	50mm - PN10	MJ3416450/46	1	£54.63
63mm x 2" BSP Male (10 Bar)	63mm - PN10	MJ341263/58	1	£108.70

Straight Male
(Sanitary)



Elbow Connections

Description	Type	Code	Qty	Price Each
PN6 Heating - Elbow				
Heating Elbow 25mm x 25mm (6 Bar)	25mm	MJ9025/23	1	£74.36
Heating Elbow 32mm x 32mm (6 Bar)	32mm	MJ9032/29	1	£74.36
Heating Elbow 40mm x 40mm (6 Bar)	40mm	MJ9040/37	1	£99.21
Heating Elbow 50mm x 50mm (6 Bar)	50mm	MJ9050/46	1	£139.44
Heating Elbow 63mm x 63mm (6 Bar)	63mm	MJ9063/58	1	£210.50
Heating Elbow 75mm x 75mm (6 Bar)	75mm	MJ9075/68	1	£318.70
Heating Elbow 90mm x 90mm (6 Bar)	90mm	MJ9090/82	1	£540.04
Heating Elbow 110mm x 110mm (6 Bar)	110mm	MJ90110/10	1	POA
Heating Elbow 125mm x 125mm (6 Bar)	125mm	MJ90125/114	1	£1,038.23

Elbow
(Heating)



PN10 Sanitary - Elbow				
Sanitary Elbow 25mm x 25mm (10 Bar)	25mm	MJ9025/35	1	£74.34
Sanitary Elbow 32mm x 32mm (10 Bar)	32mm	MJ9032/44	1	£103.41
Sanitary Elbow 40mm x 40mm (10 Bar)	40mm	MJ9040/55	1	£122.26
Sanitary Elbow 50mm x 50mm (10 Bar)	50mm	MJ9050/69	1	£151.80
Sanitary Elbow 63mm x 63mm (10 Bar)	63mm	MJ9063/87	1	£228.28

Elbow
(Sanitary)



Fittings - Brass

Straight Coupling

Description	Type	Code	Qty	Price Each
PN6 Heating - Coupling				
Heating Coupling 25mm x 25mm (6 Bar)	25mm	MJ27025/23	1	£29.30
Heating Coupling 32mm x 32mm (6 Bar)	32mm	MJ27032/29	1	£53.09
Heating Coupling 40mm x 40mm (6 Bar)	40mm	MJ27040/37	1	£73.18
Heating Coupling 50mm x 50mm (6 Bar)	50mm	MJ27050/46	1	£83.02
Heating Coupling 63mm x 63mm (6 Bar)	63mm	MJ27063/58	1	£141.60
Heating Coupling 75mm x 75mm (6 Bar)	75mm	MJ27075/68	1	£287.29
Heating Coupling 90mm x 90mm (6 Bar)	90mm	MJ27090/82	1	£395.82
Heating Coupling 110mm x 110mm (6 Bar)	110mm	MJ270110/10	1	£724.28
Heating Coupling 125mm x 125mm (6 Bar)	125mm	MJ270125/114	1	£644.06

Coupling
(Heating)



Sanitary Coupling 25mm x 25mm (10 Bar)	25mm	MJ27025/35	1	£58.40
Sanitary Coupling 32mm x 32mm (10 Bar)	32mm	MJ27032/44	1	£69.22
Sanitary Coupling 40mm x 40mm (10 Bar)	40mm	MJ27040/55	1	POA
Sanitary Coupling 50mm x 50mm (10 Bar)	50mm	MJ27050/69	1	£118.13
Sanitary Coupling 63mm x 63mm (10 Bar)	63mm	MJ27063/87	1	POA

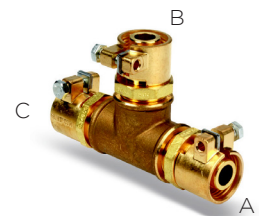
Coupling
(Sanitary)



Tee Connections

Description	Type - (AxBxC)	Code	Qty	Price Each
PN6 Heating - Tee				
Heating Equal Tee 25mm (6 Bar)	25x25x25mm	MJ13025/23	1	£126.53
Heating Equal Tee 32mm (6 Bar)	32x32x32mm	MJ13032/29	1	£126.53
Heating Reduced Tee 40mm (6 Bar)	40x32x40mm	MJ1304032/37	1	POA
Heating Equal Tee 40mm (6 Bar)	40x40x40mm	MJ13040/37	1	£203.69
Heating Reduced Tee 50mm (6 Bar)	50x40x50mm	MJ1305040/46	1	£255.28
Heating Equal Tee 75mm (6 Bar)	50x50x50mm	MJ13050/46	1	£256.31
Heating Reduced Tee 63mm (6 Bar)	63x50x63mm	MJ1306350/57	1	POA
Heating Reduced Tee 63mm (6 Bar)	63x50x63mm	MJ1306350/58	1	£357.81
Heating Equal Tee 63mm (6 Bar)	63x63x63mm	MJ13063/58	1	POA
Heating Equal Tee 75mm (6 Bar)	75x75x75mm	MJ13075/68	1	POA
Heating Equal Tee 110mm (6 Bar)	90x90x90mm	MJ13090/82	1	POA
Heating Equal Tee 90mm (6 Bar)	110x110x110mm	MJ130110/10	1	POA
Heating Equal Tee 110mm (6 Bar)	125x125x125mm	MJ130125/114	1	POA

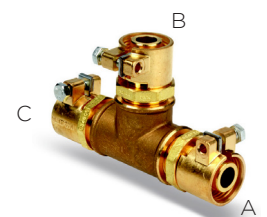
Tee
(Heating)



PN10 Sanitary - Tee

Sanitary Equal Tee 25mm (10 Bar)	25x25x25mm	MJ13025/35	1	£126.53
Sanitary Equal Tee 32mm (10 Bar)	32x32x32mm	MJ13032/44	1	£143.62
Sanitary Reduced Tee 40mm (10 Bar)	40x32x40mm	MJ1304032/55	1	POA
Sanitary Equal Tee 40mm (10 Bar)	40x40x40mm	MJ13040/55	1	POA
Sanitary Reduced Tee 50mm (10 Bar)	50x40x50mm	MJ1305040/69	1	POA
Sanitary Equal Tee 50mm (10 Bar)	50x50x50mm	MJ13050/69	1	POA
Sanitary Reduced Tee 63mm (10 Bar)	63x50x63mm	MJ1306350/87	1	POA
Sanitary Equal Tee 63mm (10 Bar)	63x63x63mm	MJ13063/87	1	POA

Tee
(Sanitary)



Underground Insulation Kits

Underground Insulated Casings

Description	Type	Code	Qty	Price Each
PN6 Heating - Coupling				
Insulated Double T-Piece	200/160/125mm	MDT201612	1	£960.04
Insulated T-Piece Kit	125/90/75mm	MT129075	1	£458.20
Insulated T-Piece Kit	200/160/125mm	MT201612	1	£427.64
Insulated I-Piece Kit	125/90/75mm	MM129075	1	£353.37
Insulated Straight Extension	200/160/125mm	MM201612	1	£376.60
Insulated Y Connection Kit	200/160/125mm	MBR201612	1	£527.67
Insulated 90° Elbow	200/160/125mm	MH201612	1	£409.06
Inspection Chamber	200/160/125mm	MISv	1	£1489.48

Inspection Chamber



Insulated T-Piece Kit



Insulated I-Piece Kit



Insulated Y Connection



Insulated 90° Elbow



Insulated Double T-Piece









Rubber End Caps (EDPM)

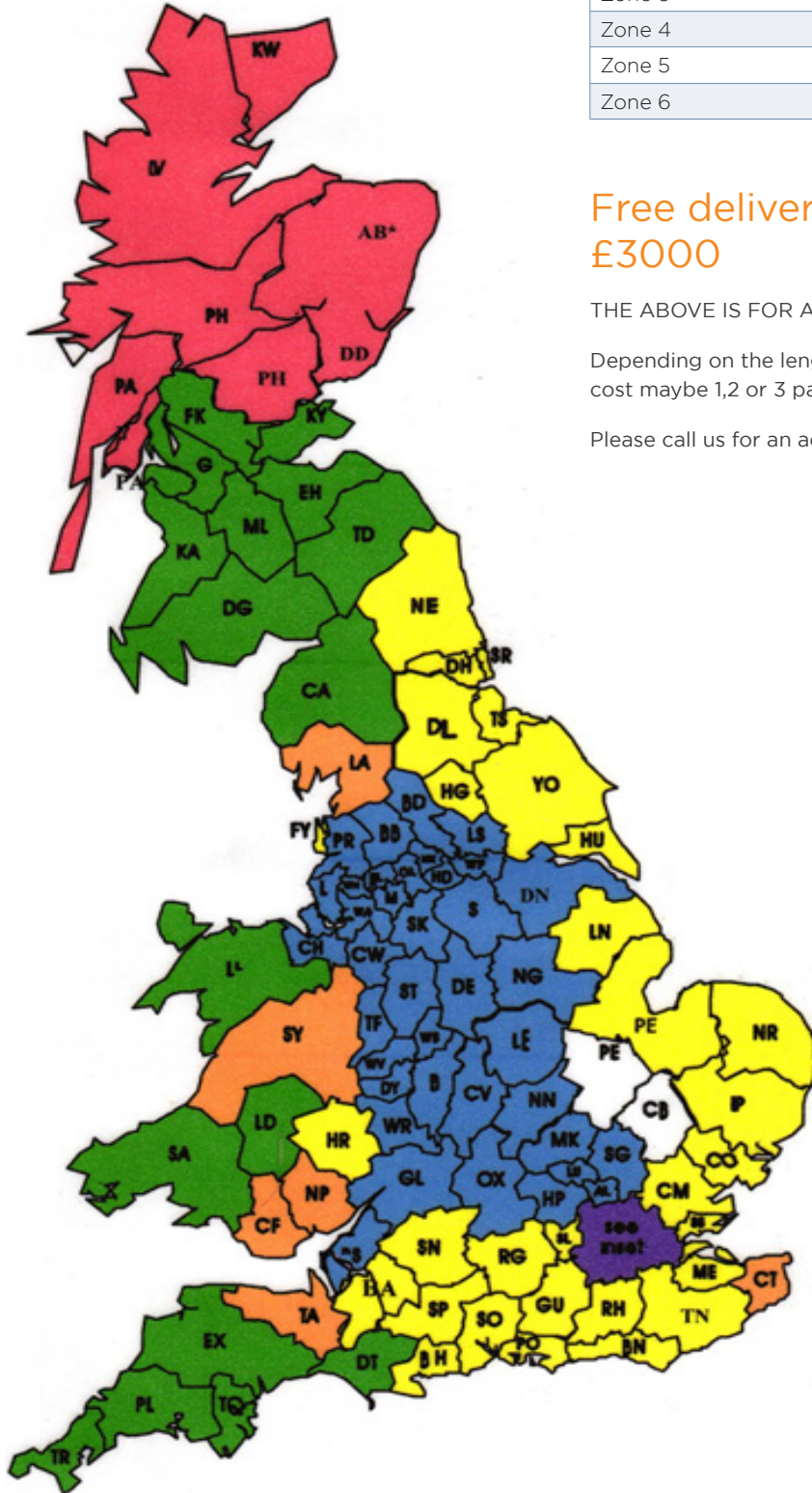
Description	Type	Code	Qty	Price p/mtr
Rubber End Caps				
End Cap Uno 75	18-25-28-32	MG751832	1	£38.37
End Cap Uno 90	18-25-32-40	MG901840	1	£41.98
End Cap Uno 125	25-28-32	MG1252532	1	POA
End Cap Uno 125	40-50-63	MG1254063	1	£25.86
End Cap Uno 160/32-40-50	32-40-50	MG1603250	1	£47.68
End Cap Uno 160	63-75-90	MG1606390	1	£28.04
End Cap Uno 200	75-90-110-125	MG20075125	1	£55.27
End Cap Duo 125	18-20-25-28-32	MGD1251832	1	£28.04
End Cap Duo 160	18-28-32-40	MGD1601840	1	£57.13
End Cap Duo 160	25-32-40-50	MGD1602550	1	£33.01
End Cap Duo 200	40-50-63	MGD2004063	1	£74.61
End Cap Quadro	20-25-32	MGQ1602532	1	£66.19

EDPM Rubber End Cap



Delivery Charges

Zone	Per Pallet Space	
Local	£30.00	
Zone 1	£48.00	
Zone 2	£54.00	
Zone 3	£66.00	
Zone 4	£55.00	
Zone 5	£69.00	
Zone 6	Call for Price	

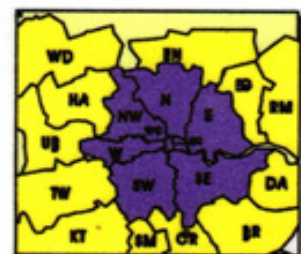


Free delivery on orders over £3000

THE ABOVE IS FOR A SINGLE PALLET SPACE

Depending on the length of pipework the actual shipping cost maybe 1,2 or 3 pallet spaces.

Please call us for an accurate shipping quote.



LONDON

London E1,W1,W2, SW1, WC, EC, SE1 & SE11:£5.00 surcharge per pallet

Declaration of Conformity



DICHIARAZIONE DI CONFORMITÀ DECLARATION OF CONFORMITY

N°000058 rev.04

Watts Industries Italia s.r.l. con sede legale in Frazione Gardolo, Via Vienna 3 – 38121 Trento - Italia
Watts Industries Italia s.r.l. frazione Gardolo, Via Vienna, 3 – 38121 Trento - Italy

DICHIARA CHE IL PRODOTTO/DECLARES THAT THE PRODUCT:

Tube flessibile pre-isolato serie MICROFLEX *Pre-insulated flexible pipe series MICROFLEX*

Prodotto da Watts Industries Italia s.r.l. nello stabilimento di Via Brenno 21 – 20853 Biassono – IT è progettato e fabbricato secondo una corretta prassi costruttiva che ne assicura la sicurezza di utilizzazione

Produced by Watts Industries Italia s.r.l. in the plant of Via Brenno 21 – 20853 Biassono – IT is designed and manufactured in accordance with the sound engineering practice in order to ensure safe use.

Il Sistema di tubo flessibile preisolato completo MICROFLEX è certificato secondo
The complete pre-insulated flexible piping system MICROFLEX is certified according to

- **CSTB** (125-2250)

Il tubo PE-Xa inserito nel sistema risponde alle seguenti normative e certificazioni:
PE-Xa pipe inserted in the system are in accordance to the following norms and certification

- **EN –ISO 15875**
- **DIN 16892**
- **CSTBat** (17-2194)
- **DVGW** (DW-8302C00292 is covering pipes group 1, dia. 10-63 mm
DW-8302C00293 is covering pipes group 2, dia. 75-160 mm)
- **WRAS** (1305519)
- **EN-ISO 2896**
- **DIN 893**

Documentazione tecnica conservata da Responsabile Ricerca e Sviluppo Ing. Roberto Allavena
Technical documentation kept by R&D Manager Ing. Roberto Allavena

Legale rappresentante: Ing. Fabrizio Fedrizzi
Responsible person: Ing. Fabrizio Fedrizzi

E-mail: infowattitalia@wattswater.com - Sito: www.wattsindustries.it
E-mail address: infowattitalia@wattswater.com - Website: www.wattsindustries.it

Biassono, il 20/03/2017

Firma Legale Rappresentante
Responsible person signature

DOC RIF: OP4.1 - DOC REG. DSQ - DATA: Aprile'09 - FOGLIO 1/1 - COD DOC: 4.1 DICO - Rev. 0



giuliani anello



Terms & Conditions

LUXUSHEAT LTD TERMS AND CONDITIONS FOR THE SALE OF GOODS

Definitions

Buyer the person who buys or agrees to buy the goods from the Seller.

Conditions the terms and conditions of sale as set out in this document and any special terms and conditions agreed in writing by the Seller.

Goods & Services the articles which the Buyer agrees to buy from the Seller.

Price the price for the Goods, excluding VAT and any carriage, packaging and insurance costs.

Seller Luxusheat Ltd , 20 William Street , Leicester , LE1 1RW

2. Conditions

2.1 These Conditions shall form the basis of the contract between the Seller and the Buyer in relation to the sale of Goods, to the exclusion of all other terms and conditions including the Buyer's standard conditions of purchase or any other conditions which the Buyer may purport to apply under any purchase order or confirmation of order or any other document.

2.2 All orders for Goods shall be deemed to be an offer by the Buyer to purchase Goods from the Seller pursuant to these Conditions.

2.3 Acceptance of delivery of the Goods shall be deemed to be conclusive evidence of the Buyer's acceptance of these Conditions.

2.4 These Conditions may not be varied except by the written agreement of [a director of] the Seller.

2.5 These Conditions represent the whole of the agreement between the Seller and the Buyer. They supersede any other conditions previously issued.

3. Price

3.1 The Price shall be the price quoted on the Seller's order confirmation. The Price is exclusive of VAT which shall be due at the rate in force on the date of the Seller's invoice.

3.2 Any Typo, clerical or other error in any sales literature, quote, price list, invoice or any other document or information used by the company shall be subject to correction with liability on the part of the company

3.3 The company is entitled to make delivery by instalments against any order it accepts from the buyer these terms and conditions shall apply to each instalment delivery and any claim by the buyer in respect of any one or more of the instalments shall not entitle the buyer to treat the contract as a whole as repudiated

4. Payment and Interest

4.1 Payment of the Price and VAT shall be due within 30 days of the date of the Seller's invoice.

4.2 The Buyer shall pay all accounts in full and not exercise any rights of set-off or counter-claim against invoices submitted by the Seller.

4.3 If the buyer fails to make payment by the due date the company may suspend any further deliveries to the buyer and at the company's discretion interest will be charged at 4% over the base rate of NatWest bank from the date payment was due until and including the date the payment was made

4.4 If the buyer does not meet the conditions of payment, or in case of reasonable doubts about the buyers credit worthiness or the buyer makes any voluntary arrangements with its creditors, becomes bankrupt, becomes subject of an administration order or goes into liquidation the company may cancel any outstanding contract with the buyer and all outstanding invoices of the buyers account will become due

5. Goods & Services

5.1 The quantity and description of the Goods shall be as set out in the Seller's confirmation of order.

5.2 The company may make any changes in the specification of the goods and or services which are required to conform to any applicable statutory or EC requirement or which do not materially affect their quality or performance

5.3 All drawings, designs, specifications, quotes and other information provided by the company are confidential and all rights of copyright shall remain the property of the company and shall not pass to the buyer

5.4 All specifications, drawing and descriptions and particulars of layouts and dimensions submitted by the company are deemed approximate only and descriptions and illustrations in the company's price list and other advertising matter shall not form any part of a contract

6. Warranties

6.1 The Seller warrants that the Goods will at the time of delivery correspond to the description given by the Seller in the confirmation of order. [Except where the Buyer is dealing as a consumer (as defined in section 12 of the Unfair Contract Terms Act 1977), all other warranties, conditions or terms relating to fitness for purpose, quality or condition of the Goods are excluded].

6.2 Subject to the exclusions set out in 6.3 below, the Company confirms the goods will correspond with their specification at the time of delivery and will be free from defect in material and workmanship from the date of delivery for 12 months

6.3 The company shall be under no liability in respect of any defect in the goods arising from any drawing, design or specification supplied by the buyer

6.4 The company shall be under no liability in respect of any defect arising from fair wear and tear , wilful damage , negligence , abnormal working conditions , failure to follow the company's instructions (whether oral or in writing), misuse or alteration or repair of the goods without the company's written approval

6.5 Where the goods are returned by the buyer and accepted by the company as being defective the company shall at its option, either repair or replace the goods without cost to the buyer or allow the buyer a credit on their account. The company shall not be liable to the buyer for any claim by the buyer for any work done on or with the goods, loss of profit, or any loss, damage or cost to the buyer whatsoever. Other than the replacement cost of the goods and the buyer shall not be entitled to withhold payment by reason of defect

7. Delivery of the Goods

7.1 Delivery of the Goods shall be made to the Buyer's address. The Buyer shall make all arrangements necessary to take delivery of the Goods on the day notified by the Seller for delivery.

7.2 The Seller undertakes to use its reasonable endeavours to despatch the Goods on an agreed delivery date, but does not guarantee to do so. Time of delivery shall not be of the essence of the contract.

7.3 The Seller shall not be liable to the Buyer for any loss or damage whether arising directly or indirectly from the late delivery or short delivery of the Goods. If short delivery does take place, the Buyer undertakes not to reject the Goods but to accept the Goods delivered as part performance of the contract.

7.4 If the Buyer fails to take delivery of the Goods on the agreed delivery date or, if no specific delivery date has been agreed, when the Goods are ready for despatch, the Seller shall be entitled to store and insure the Goods and to charge the Buyer the reasonable costs of so doing.

8. Acceptance of the Goods

8.1 The Buyer shall be deemed to have accepted the Goods 24 hours after delivery to the Buyer.

8.2 The Buyer shall carry out a thorough inspection of the Goods within 24 hours of delivery and shall give written notification to the Seller within 3 working days of delivery of the Goods of any defects or shortages which a reasonable examination would have revealed.

8.3 Where the Buyer has accepted, or has been deemed to have accepted, the Goods the Buyer shall not be entitled to reject Goods which are not in accordance with the contract.

9. Title and risk

9.1 Risk shall pass on delivery of the Goods to the Buyer's address.

9.2 Notwithstanding the earlier passing of risk, title in the Goods shall remain with the Seller and shall not pass to the Buyer until the amount due under the invoice for them has been paid in full.

9.3 The Seller may at any time before title passes and without any liability to the Buyer:

9.4.1 repossess and dismantle and use or sell all or any of the Goods and by doing so terminate the Buyer's right to use, sell or otherwise deal in them; and

9.4.2 for that purpose (or determining what if any Goods are held by the Buyer and inspecting them) enter any premises of or occupied by the Buyer.

9.5 The Seller may maintain an action for the price of any Goods notwithstanding that title in them has not passed to the Buyer.

10. Carriage of Goods

Carriage will be chargeable on;

1) Underfloor heating orders under £250 net

2) Plumbing orders under £500 net not including straight lengths of pipe

3) Plumbing orders under £1000 net including 5m straight lengths of pipe

4) Pre-insulated pipe orders £3000 nett.

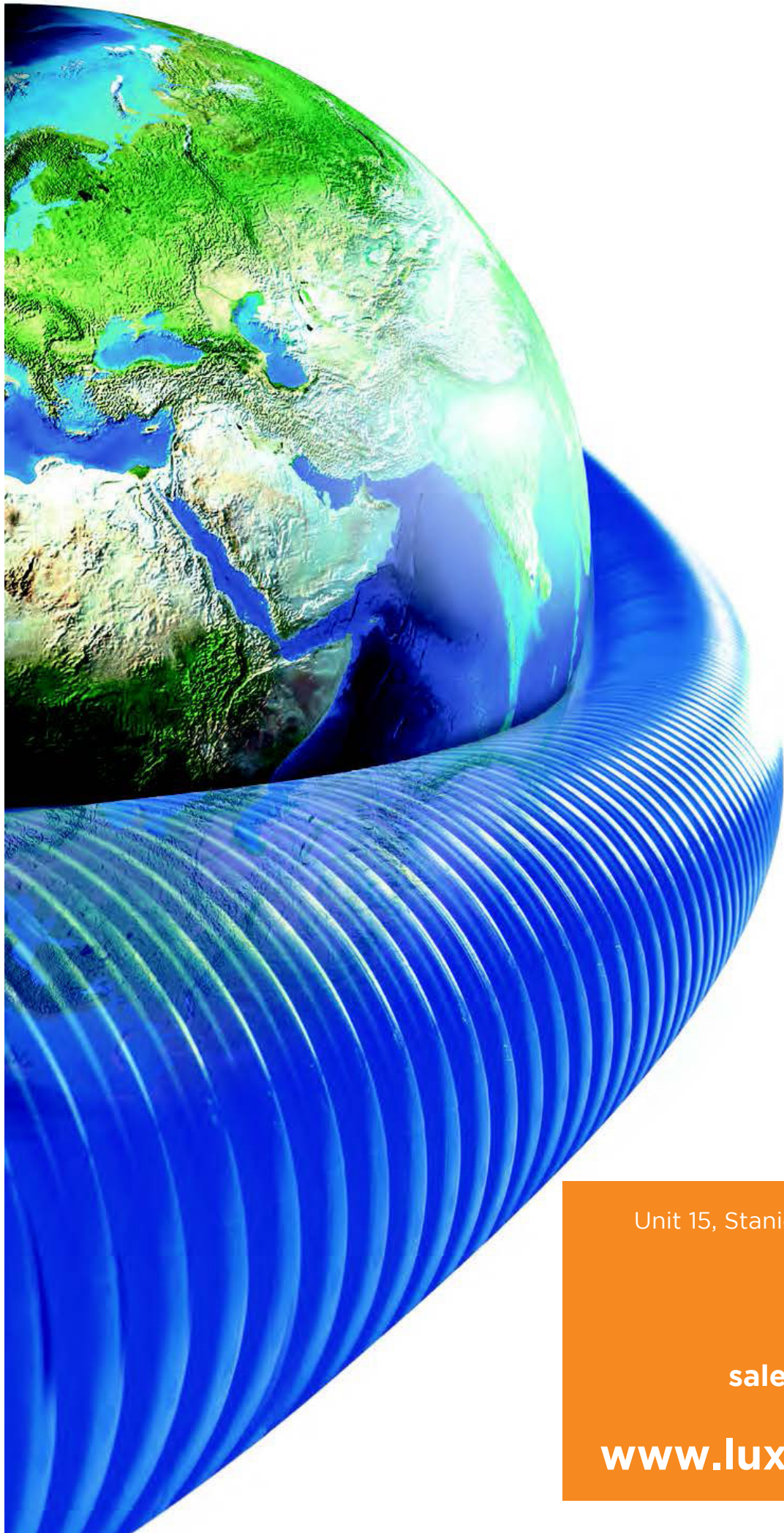
5) Any order of any size on timed delivery (ie. pre 9am, pre12.0 etc.)

6) Any orders of any size for Saturday delivery

11. Force Majeure

The company shall not be liable to the buyer to the extent that fulfilment of its obligation to the buyer has been prevented , hindered or delayed by the force majeure as herein defined and without limiting the generality of the forgoing company shall be entitled to cancel any delivery in whole or part when it is delayed in or prevented from making delivery by strikes , lock outs , trade disputes or labour troubles or any cause beyond the company's control including without limitation act of god , regulation or request , fire , accident , war , riot , delay in transportation , inability to obtain adequate labour , materials or manufacturing facilities and the company shall not be bound to obtain in the market the goods with which to replace the goods , delivery of which has been cancelled as a result of said events.





Unit 15, Stanier Rd, Broughton Astley
LE9 6TW

Call: 0116 251 4916

sales@luxusheat.co.uk

www.luxusheat.co.uk