

The background of the entire page is a complex, white wireframe architectural structure on a blue gradient background. The structure consists of numerous intersecting lines forming a grid-like pattern, with some lines curving and spiraling to create a sense of depth and three-dimensional space. The overall effect is that of a technical or engineering drawing.

# **firmopress**

## **Plumbing System**

Price List

Feb 2022

**Multilayer  
PPSU  
Brass**

**16 - 110mm**

# firmopress

We offer the best plumbing solutions for both domestic and commercial applications from 16mm to 110mm pipe sizes, along with high quality brass metal & plastic PPSU press fittings and an array of bevelling, cutting and press tools to complete the range.

You can feel secure that your system specification, design and materials are in the hands of experienced professionals.

We pride ourselves in selecting premium products and it goes without saying that all our systems carry extensive product guarantees and certification.

The range is comprehensively stocked in a central warehouse ensuring quick, efficient turnaround on orders placed with us. Our experienced team is on hand to provide all the information you will need from conception to commissioning.



The Water Supply (Water Fittings) Regulations and Water Supply (Water Fittings) (Scotland) Byelaws, play an important role in protecting public health, safeguarding water supplies and promoting the efficient use of water within customers' premises across the UK.

They set legal requirements for the design, installation, operation and maintenance of plumbing systems, water fittings and water-using appliances. They have a specific purpose to prevent misuse, waste, undue consumption or erroneous measurement of water and, most importantly, to prevent contamination of drinking water.

# Contents

<b>Multilayer Pipes</b>	<b>7</b>
Multilayer Pert-AL-Pert Pipe	7
Plastic Pipe Clips	7
<b>Press Fittings - Plastic PPSU</b>	<b>8</b>
Press Fittings - PPSU	8
<b>Press Fittings - Brass</b>	<b>9</b>
Press Fittings - Bass	9
Press Fittings - Tee's	10
Press Fittings - Transition to Copper	11
Press Fittings - BSP Threaded Connections	12
Press Fittings - BSP Threaded Fittings	13
Press Fittings - Lever Valves	14
Press Fittings - Radiator Connections	14
Press Fittings - End Cap	14
<b>Plumbing Manifolds</b>	<b>15</b>
WRAS Approved Plumbing Manifolds	15
<b>Modular System</b>	<b>16</b>
Modular System 25mm to 110mm	16
<b>Tools</b>	<b>17</b>
Large Press Gun - 16mm - 110mm	19
Mini Press Gun 16mm - 32mm	20
<b>WRAS Certificate</b>	<b>21</b>
<b>Terms &amp; Conditions</b>	<b>22</b>

# Firmopress Pipe

## MULTI-LAYER COMPOSITE PIPE

The Firmopress Pert-al-Pert multi-layer pipe consists of 5 layers. One polyethylene layer is applied to the inside and one to the outside of the welded aluminium pipe. Both PE layers are permanently bonded to the aluminium pipe by means of an adhesive layer. The polyethylene used is a non-cross-linked polyethylene of raised temperature (PE-RT – polyethylene of raised temperature resistance).

The pipe has WRAS approval so pipe quality and integrity can be assured, with the approved press fit system this also means that any off cuts from the underfloor heating system can be used for potable drinking water installations.

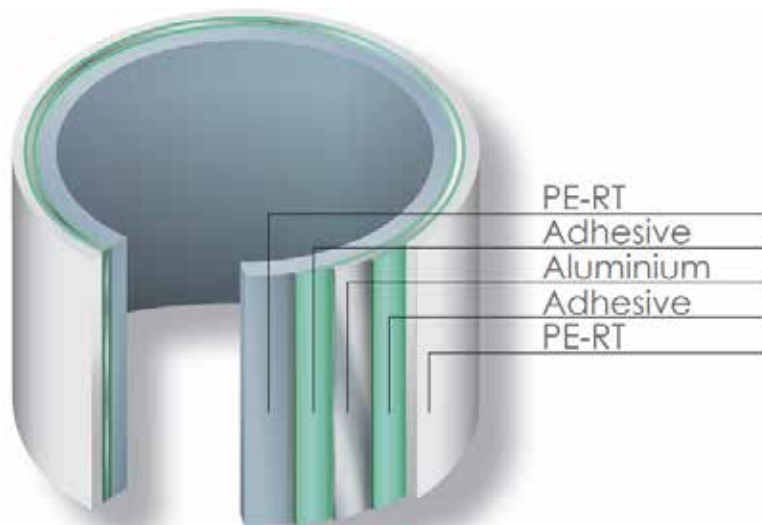
The aluminum core is 100% oxygen diffusion tight, therefore preventing the ingree of any oxygen. The pipe compensates and reduces snap-back forces and heat expansion with changes of temperature and the system is designed for easy, safe and fast pipe installation.

## MODERN COMPOSITE MATERIALS

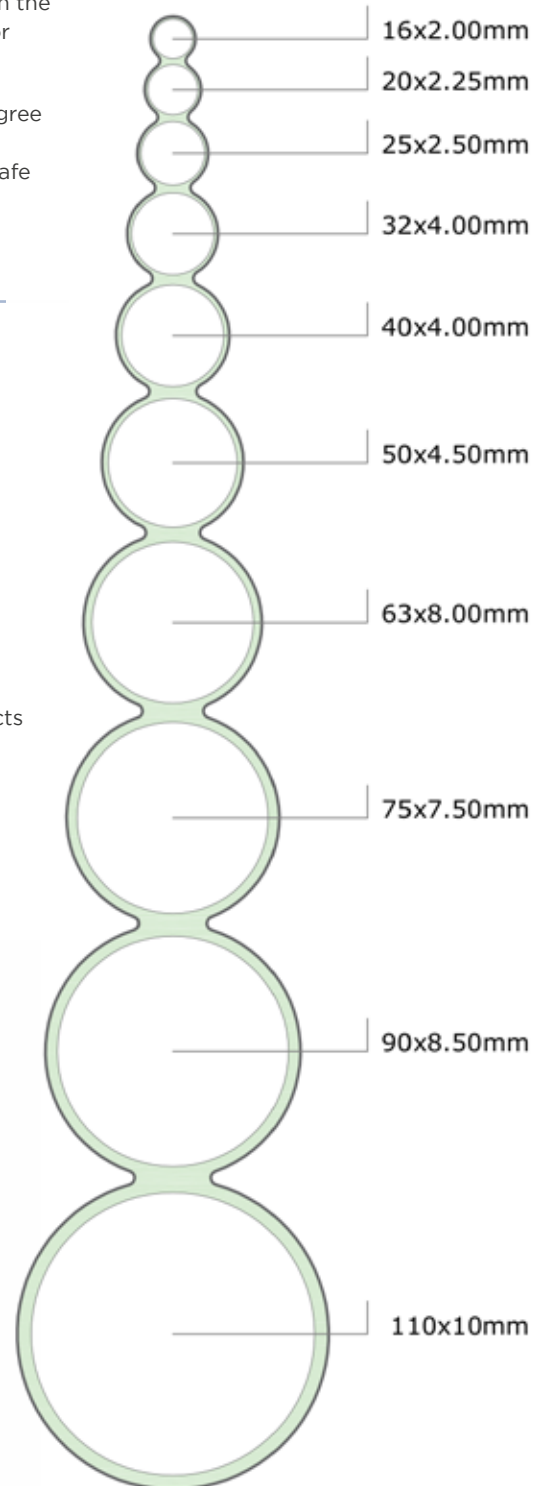
- Environmentally friendly due to the lower use of natural resources
- Combines the advantages of metal & plastic pipes
- Up to 70% lighter than metal pipes
- 100% Oxygen-diffusion barrier

## HIGHEST HYGENIC SAFETY

- PE-RT is hygienically clean with a very smooth surface
- No corrosion, the surface quality remains the same throughout the products life span
- No deposits are able to gather that affects the functionality of the pipe



16mm to 110mm



## Five Layer Multi-Layer Composite Pipe

# Firmopress Pipe

## LOW THERMAL EXPANSION

Due to the inner aluminium layer the thermal expansion is similar to those of metal pipes. Thus the fastening with slide points and fixed points corresponds to those of metal pipes.

- Linear expansion similar to copper pipe
- Low thermal activity means lower stress in long term usage for the pipe
- Less requirements for clipping, expansion bellows and bending legs during installation

Length of pipe	Expansion at $\Delta t$ 50K
PEX	500 mm
PP	450 mm
PB	375 mm
PVC	200 mm
<b>Firmopress</b>	<b>62,50 mm</b>
Copper	41,25 mm
galv. steel	28,50 mm
stainl. steel	27,50 mm

50 m →

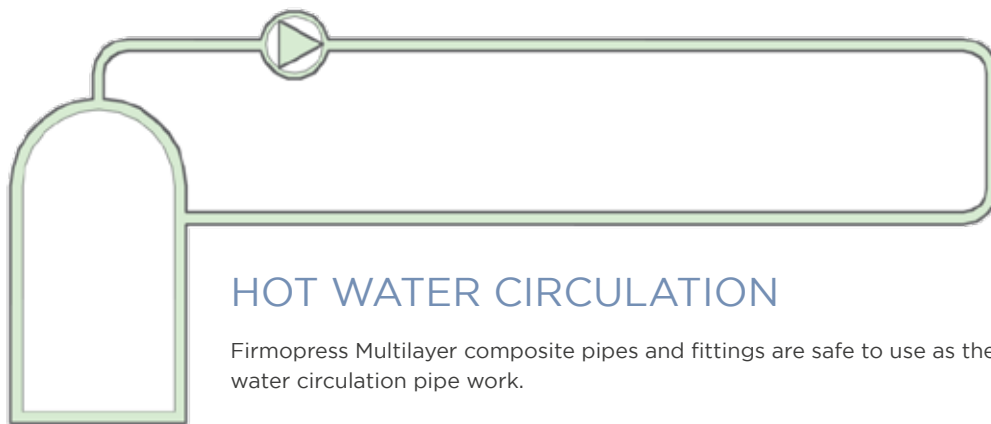
## FLEXIBLE

Dimensions up to 25mm can easily be bent by hand. Therefore work can be carried out much more efficiently.



## FORMSTABLE

Once bent, the pipe will keep its shape. This means a significant reduction in fastening points.



## HOT WATER CIRCULATION

Firmopress Multilayer composite pipes and fittings are safe to use as the secondary return hot water circulation pipe work.

Tested continuously for more than 30 years at an operating temperature that exceeds the requirement of the WRAS approval test procedure of 70°C (tap water) and 80°C (heating) as well as a continuous operating pressure of 10 bar.

# Firmopress Fittings

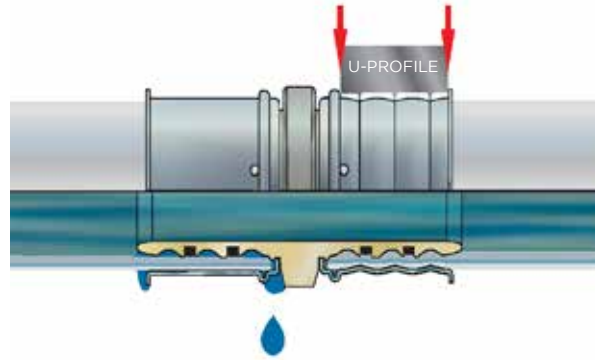
## METAL PRESS FITTINGS 16 -32mm

### The Pressing Sleeve

- Fixed to the brass body and protects the O-rings from being damaged
- Enables an easy check of the correct insertion depth due to the inspection windows
- Has a double flange press jaw guide that makes a correct pressing easier even at poorly accessible position.
- Keeps the pipe permanently fixed to the fitting body after pressing. The pipe can still be turned and adjusted after pressing.

### Additional test safety

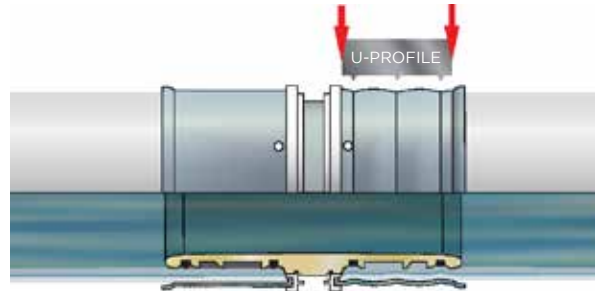
- Non-pressed connections can be easily detected during the pre-pressure test (test pressure 1.5 Bar for 15mins by appearance of water).



## METAL PRESS FITTINGS 40 -75mm

### The Pressing Sleeve

- Protects the O-rings from being damaged
- Enables an easy check of the correct insertion depth due to the inspection windows
- Has a double flange press jaw guide that makes a correct pressing easier even at poorly accessible position.
- Keeps the pipe permanently fixed to the fitting body after pressing. The pipe can still be turned and adjusted after pressing.



16mm to 75mm Metal press fittings

# Firmopress Fittings

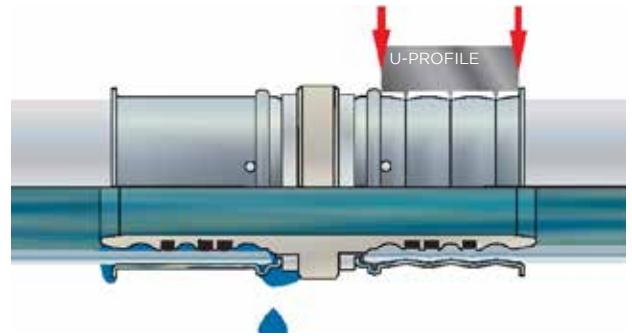
## PPSU PRESS FITTINGS 16 -50mm

### The Pressing Sleeve

- Fixed to the PPSU body and protects the O-rings from being damaged
- Enables an easy check of the correct insertion depth due to the inspection windows
- Has a double flange press jaw guide that makes a correct pressing easier even at poorly accessible position.
- Keeps the pipe permanently fixed to the fitting body after pressing. The pipe can still be turned and adjusted after pressing.

### Additional test safety

- Non-pressed connections can be easily detected during the pre-pressure test (test pressure 1.5 Bar for 15mins by appearance of water.



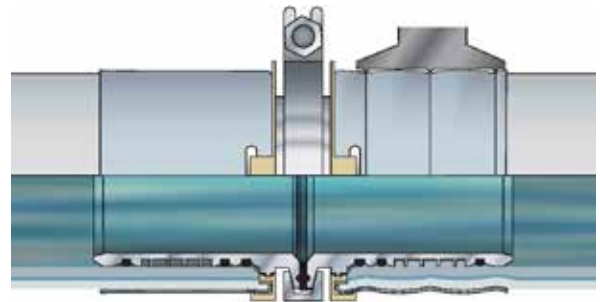
## MODULAR 90/110 - Metal press fittings 63mm - 110mm

### The Modular Concept

- Pressing adapter is connected to the pipe by the pressing tool
- Joints, tees or elbows are easily connected to the adaptor by gripper clamps.

### Flexible & safe

- Working with premounted parts means higher safety on site with lighter pipes and fittings compared to traditional metal materials. Easy pipe connection techniques makes the handling in risers and over head more safe.



# Multilayer Pipes

## Multilayer Pert-AL-Pert Pipe

Description	Type	Code	Unit Length	Price p/mtr
-------------	------	------	-------------	-------------

### Multilayer pipe - Coils

Multilayer Pipe (Coil)	16 x 2mm	BFB 10080	80m Coil	£2.20
Multilayer Pipe (Coil)	16 x 2mm	BFB 10100	100m Coil	£2.20
Multilayer Pipe (Coil)	16 x 2mm	BFB 10120	120m Coil	£2.20
Multilayer Pipe (Coil)	16 x 2mm	BFB 10240	240m Coil	£2.20
Multilayer Pipe (Coil)	16 x 2mm	BFB 10500	500m Coil	£2.20
Multilayer Pipe (Coil)	20 x 2.25mm	BFB 10030	100m Coil	£3.58
Multilayer Pipe (Coil)	25 x 2.5mm	BFB 10040	50m Coil	£5.50
Multilayer Pipe (Coil)	32 x 3mm	BFB 10051	50m Coil	£7.60



### Multilayer pipe - Straight Lengths

Multilayer Pipe (Straight Length)	20 x 2.25mm	BFB 15031	3m Length	£4.83
Multilayer Pipe (Straight Length)	25 x 2.5mm	BFB 15041	3m Length	£7.14
Multilayer Pipe (Straight Length)	32 x 3mm	BFB 15051	3m Length	£9.23
Multilayer Pipe (Straight Length)	40 x 4mm	BFB 15061	3m Length	£14.45
Multilayer Pipe (Straight Length)	50 x 4.5mm	BFB 15071	3m Length	£20.53
Multilayer Pipe (Straight Length)	63 x 6mm	BFB 15081	3m Length	£37.63
Multilayer Pipe (Straight Length)	75 x 7.5mm	BFB 15091	3m Length	£60.82
Multilayer Pipe (Straight Length)	90 x 8.5mm	BFB 15100	3m Length	£74.13
Multilayer Pipe (Straight Length)	110 x 10mm	BFB 15110	3m Length	£102.63



### Multilayer pipe - Pre-insulated Coils supplied in S9 Insulation

Multilayer Pipe + S9 Insulation	16 x 2mm	BFB 14310	50m Coil	£4.20
Multilayer Pipe + S9 Insulation	20 x 2.25mm	BFB 14330	50m Coil	£4.95
Multilayer Pipe + S9 Insulation	25 x 2.5mm	BFB 14340	50m Coil	£8.81
Multilayer Pipe + S9 Insulation	32 x 3mm	BFB 14350	50m Coil	£12.38



### Multilayer pipe - Pre-insulated Coils supplied in S13 Insulation

Multilayer Pipe + S13 Insulation	16 x 2mm	BFB 14410	50m Coil	£4.87
Multilayer Pipe + S13 Insulation	20 x 2.25mm	BFB 14430	50m Coil	£6.47
Multilayer Pipe + S13 Insulation	25 x 2.5mm	BFB 14440	50m Coil	£10.08
Multilayer Pipe + S13 Insulation	32 x 3mm	BFB 14450	50m Coil	£13.55



## Plastic Pipe Clips

Description	Type	Code	Box Quantity	Price per Box
-------------	------	------	--------------	---------------

### Plastic Pipe Clips sold in Boxes

Single Pipe Clip	16mm	BFB 50016	50	£11.10
Single Pipe Clip	20mm	BFB 50020	50	£11.54
Single Pipe Clip	25mm	BFB 50025	50	£12.85
Single Pipe Clip	32mm	BFB 50032	50	£17.26
Single Pipe Clip	40mm	BFB 50040	40	£35.71
Single Pipe Clip	50mm	BFB 50050	25	£34.59
Single Pipe Clip	63mm	BFB 50063	25	£44.48





# Press Fittings - Plastic PPSU

## Press Fittings - PPSU

Description	Type	Code	Bag Quantity	Price Each
<b>PPSU Press Coupling Equal</b>				
PPSU Press-Coupling (Equal)	16 x 16mm	BFB 57010	10	£4.03
PPSU Press-Coupling (Equal)	20 x 20mm	BFB 57030	10	£5.44
PPSU Press-Coupling (Equal)	25 x 25mm	BFB 57040	10	£9.07
PPSU Press-Coupling (Equal)	32 x 32mm	BFB 57050	4	£11.22
PPSU Press-Coupling (Equal)	40 x 40mm	BFB 57060	1	£20.61
PPSU Press-Coupling (Equal)	50 x 50mm	BFB 57070	1	£30.52
PPSU Press-Coupling (Equal)	63 x 63mm	BFB 57080	1	£73.38

PPSU  
Equal Coupling



<b>PPSU Press Coupling Reduced</b>				
PPSU Press-Coupling (Reduced)	20 x 16mm	BFB 57031	10	£4.97
PPSU Press-Coupling (Reduced)	25 x 16mm	BFB 57041	10	£7.48
PPSU Press-Coupling (Reduced)	25 x 20mm	BFB 57042	10	£7.55
PPSU Press-Coupling (Reduced)	32 x 25mm	BFB 57052	10	£10.95

PPSU  
Reduced Coupling



<b>PPSU Press Elbow 90°</b>				
PPSU Press-Elbow 90°	16x 16mm	BFB 53010	10	£4.50
PPSU Press-Elbow 90°	20 x 20mm	BFB 53030	10	£6.26
PPSU Press-Elbow 90°	25 x 25mm	BFB 53040	10	£11.07
PPSU Press-Elbow 90°	32 x 32mm	BFB 53050	4	£15.88
PPSU Press-Elbow 90°	40 x 40mm	BFB 53060	4	£25.35
PPSU Press-Elbow 90°	50 x 50mm	BFB 53070	1	£30.52
PPSU Press-Elbow 90°	63 x 63mm	BFB 53080	1	£73.38

PPSU  
Elbow 90°



PPSU Press Tee (Equal)	A x B x C			
PPSU Press-Tee (Equal)	16x16x16mm	BFB 55010	10	£6.73
PPSU Press-Tee (Equal)	20x20x20mm	BFB 55030	10	£8.84
PPSU Press-Tee (Equal)	25x25x25mm	BFB 55040	4	£14.83
PPSU Press-Tee (Equal)	32x32x32mm	BFB 55050	4	£20.65
PPSU Press-Tee (Equal)	40x40x40mm	BFB 55060	1	£33.03
PPSU Press-Tee (Equal)	50x50x50mm	BFB 55070	1	£54.67
PPSU Press-Tee (Equal)	63x63x63mm	BFB 55080	1	£133.94

PPSU  
Equal Tee



PPSU Press Tee (Reduced)	A x B x C			
PPSU Press-Tee (Reduced)	16x20x16mm	BFB 55011	10	£7.94
PPSU Press-Tee (Reduced)	20x16x16mm	BFB 55031	10	£7.94
PPSU Press-Tee (Reduced)	20x16x20mm	BFB 55032	10	£8.10
PPSU Press-Tee (Reduced)	20x20x16mm	BFB 55033	10	£7.94
PPSU Press-Tee (Reduced)	25x16x25mm	BFB 55041	4	£12.95
PPSU Press-Tee (Reduced)	25x20x20mm	BFB 55042	4	£12.52
PPSU Press-Tee (Reduced)	25x20x25mm	BFB 55043	4	£13.77
PPSU Press-Tee (Reduced)	32x20x32mm	BFB 55051	4	£18.89
PPSU Press-Tee (Reduced)	32x25x25mm	BFB 55053	4	£19.64
PPSU Press-Tee (Reduced)	32x25x32mm	BFB 55052	4	£19.99

PPSU  
Reduced Tee



# Press Fittings - Brass

## Press Fittings - Brass

Description	Type	Code	Bag Quantity	Price Each
-------------	------	------	--------------	------------

### Brass Press Coupling Equal

Brass Press-Coupling (Equal)	16 x 16mm	BFB 27010	10	£5.09
Brass Press-Coupling (Equal)	20 x 20mm	BFB 27030	10	£6.57
Brass Press-Coupling (Equal)	25 x 25mm	BFB 27040	10	£10.62
Brass Press-Coupling (Equal)	32 x 32mm	BFB 27050	10	£14.74
Brass Press-Coupling (Equal)	40 x 40mm	BFB 27060	1	£22.90
Brass Press-Coupling (Equal)	50 x 50mm	BFB 27070	1	£32.37
Brass Press-Coupling (Equal)	63 x 63mm	BFB 27080	1	£86.50
Brass Press-Coupling (Equal)	75 x 75mm	BFB 27090	1	£116.48

Brass  
Equal Coupling



### Brass Press Coupling Reduced

Brass Press-Coupling (Reduced)	20 x 16mm	BFB 27031	10	£6.09
Brass Press-Coupling (Reduced)	25 x 16mm	BFB 27041	10	£8.21
Brass Press-Coupling (Reduced)	25 x 20mm	BFB 27042	10	£9.18
Brass Press-Coupling (Reduced)	32 x 20mm	BFB 27051	10	£13.26
Brass Press-Coupling (Reduced)	32 x 25mm	BFB 27052	10	£13.66
Brass Press-Coupling (Reduced)	40 x 25mm	BFB 27062	1	£19.49
Brass Press-Coupling (Reduced)	40 x 32mm	BFB 27061	1	£18.29
Brass Press-Coupling (Reduced)	50 x 32mm	BFB 27072	1	£24.97
Brass Press-Coupling (Reduced)	50 x 40mm	BFB 27071	1	£29.28
Brass Press-Coupling (Reduced)	63 x 40mm	BFB 27081	1	£63.21
Brass Press-Coupling (Reduced)	63 x 50mm	BFB 27082	1	£66.55
Brass Press-Coupling (Reduced)	75 x 40mm	BFB 27091	1	£89.84
Brass Press-Coupling (Reduced)	75 x 50mm	BFB 27092	1	£93.18
Brass Press-Coupling (Reduced)	75 x 63mm	BFB 27093	1	£109.80

Brass  
Reduced Coupling



### Brass Press Elbow 90°

Brass Press-Elbow 90°	16 x 16mm	BFB 23010	10	£5.89
Brass Press-Elbow 90°	20 x 20mm	BFB 23030	10	£8.21
Brass Press-Elbow 90°	25 x 25mm	BFB 23040	10	£13.14
Brass Press-Elbow 90°	32 x 32mm	BFB 23050	4	£18.74
Brass Press-Elbow 90°	40 x 40mm	BFB 23060	1	£30.88
Brass Press-Elbow 90°	50 x 50mm	BFB 23070	1	£45.18
Brass Press-Elbow 90°	63 x 63mm	BFB 23080	1	£118.68
Brass Press-Elbow 90°	75 x 75mm	BFB 23090	1	£192.99

Brass  
Elbow 90°



### Brass Press Elbow 45°

Brass Press-Elbow 45°	32 x 32mm	BFB 23250	4	£22.03
Brass Press-Elbow 45°	40 x 40mm	BFB 23260	1	£40.06
Brass Press-Elbow 45°	50 x 50mm	BFB 23270	1	£51.02
Brass Press-Elbow 45°	63 x 63mm	BFB 23280	1	£106.49
Brass Press-Elbow 45°	75 x 75mm	BFB 23290	1	£232.94

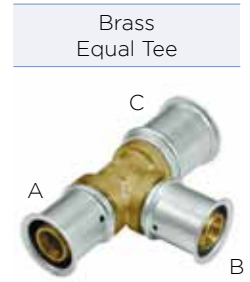
Brass  
Elbow 45°



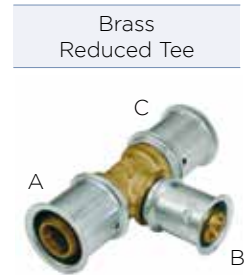
# Press Fittings - Brass

## Press Fittings - Tee's

Description	Type	Code	Quantity / Unit	Price Each
<b>Brass Press Tee Equal</b>		<b>A X B x C</b>		
Brass Press-Tee (Equal)	16x16x16mm	BFB 25010	10	£8.21
Brass Press-Tee (Equal)	20x20x20mm	BFB 25030	10	£11.70
Brass Press-Tee (Equal)	25x25x25mm	BFB 25040	4	£18.50
Brass Press-Tee (Equal)	32x32x32mm	BFB 25050	4	£25.95
Brass Press-Tee (Equal)	40x40x40mm	BFB 25060	1	£43.47
Brass Press-Tee (Equal)	50x50x50mm	BFB 25070	1	£63.64
Brass Press-Tee (Equal)	63x63x63mm	BFB 25080	1	£173.76
Brass Press-Tee (Equal)	75x75x75mm	BFB 25090	1	£275.47



<b>Brass Press Tee Reduced</b>		<b>A X B x C</b>		
Brass Press-Tee (Reduced)	16x20x16mm	BFB 25011	10	£10.97
Brass Press-Tee (Reduced)	20x16x16mm	BFB 25031	10	£10.57
Brass Press-Tee (Reduced)	20x16x20mm	BFB 25032	10	£11.41
Brass Press-Tee (Reduced)	20x20x16mm	BFB 25033	10	£10.97
Brass Press-Tee (Reduced)	20x25x20mm	BFB 25037	4	£17.42
Brass Press-Tee (Reduced)	25x16x16mm	BFB 25048	4	£14.74
Brass Press-Tee (Reduced)	25x16x20mm	BFB 25047	4	£15.50
Brass Press-Tee (Reduced)	25x16x25mm	BFB 25041	4	£16.91
Brass Press-Tee (Reduced)	25x20x20mm	BFB 25042	4	£15.94
Brass Press-Tee (Reduced)	25x20x25mm	BFB 25043	4	£17.55
Brass Press-Tee (Reduced)	32x16x32mm	BFB 25054	4	£26.43
Brass Press-Tee (Reduced)	32x20x32mm	BFB 25051	4	£25.31
Brass Press-Tee (Reduced)	32x25x25mm	BFB 25053	4	£24.51
Brass Press-Tee (Reduced)	32x25x32mm	BFB 25052	4	£25.50
Brass Press-Tee (Reduced)	32x40x32mm	BFB25058	1	£47.94
Brass Press-Tee (Reduced)	40x20x40mm	BFB 25061	1	£34.11
Brass Press-Tee (Reduced)	40x25x40mm	BFB 25062	1	£35.24
Brass Press-Tee (Reduced)	40x32x32mm	BFB 25063	1	£33.89
Brass Press-Tee (Reduced)	40x32x40mm	BFB 25064	1	£37.23
Brass Press-Tee (Reduced)	40x50x40mm	BFB25068	1	£68.74
Brass Press-Tee (Reduced)	50x25x50mm	BFB 25072	1	£60.85
Brass Press-Tee (Reduced)	50x32x50mm	BFB 25073	1	£65.93
Brass Press-Tee (Reduced)	50x40x50mm	BFB 25074	1	£77.76
Brass Press-Tee (Reduced)	50x63x50mm	BFB 25074	1	£154.59
Brass Press-Tee (Reduced)	63x25x63mm	BFB 25081	1	£110.20
Brass Press-Tee (Reduced)	63x32x63mm	BFB 25082	1	£122.93
Brass Press-Tee (Reduced)	63x40x63mm	BFB 25083	1	£135.60
Brass Press-Tee (Reduced)	63x50x63mm	BFB 25084	1	£139.87
Brass Press-Tee (Reduced)	63x75x63mm	BFB 25088	1	£191.66
Brass Press-Tee (Reduced)	75x40x75mm	BFB 25092	1	£203.41
Brass Press-Tee (Reduced)	75x50x75mm	BFB 25093	1	£216.14



# Press Fittings - Brass

## Press Fittings - Transition to Copper



### MLC to Copper Compression

16mm to 25mm MLC press connection inc. nut and olive to 15 - 22mm copper.

### MLC Compression Nut and Insert

16mm to 25mm MLC Compression fitting to 15mm - 28mm Thread

### MLC Press to Copper tail

16mm to 32mm MLC press fitting to 15mm - 28mm Copper tail.

Description	Type	Code	Bag Quantity	Price Each
<b>Brass Press MLCP to compression nut and olive</b>				
16mm - 15mm CU Inc Nut & Olive	16x2 - Cu15	BFB 20710	10	£5.70
20mm - 22mm CU Inc Nut & Olive	20x2.25 - Cu22	BFB 20731	10	£9.68
25mm - 22mm CU Inc Nut & Olive	25x2.5 - Cu22	BFB 20740	10	£11.24

MLCP - Compression Nut & Olive



### Brass Press MLCP compression adaptor

16 x 15mm Chrome	16x2 - Cu 15	BFB 79710	10	£3.30
20 x 22mm Brass	20x2.25 - Cu22	BFB 79731	10	£5.45
25 x 28mm Brass	25x2.5 - Cu28	BFB 90040	10	£20.82

MLCP - Compression Insert



### Brass Press Elbow 45°

Press-adaptor - unplated	16x2 - Cu15	BFB 29710	10	£8.01
Press-adaptor - unplated	20x2.25 - Cu22	BFB 29731	10	£11.28
Press-adaptor - unplated	25x2.5 - Cu22	BFB 29740	10	£15.09
Press-adaptor - unplated	32 x 3 - Cu28	BFB 29750	10	£17.50

MLCP - Copper Tail



### IMPORTANT:

Do not hot solder on the copper-side of the fitting, use press or compression adaptors only.

# Press Fittings - Brass

## Press Fittings - BSP Threaded Connections

Description	Type	Code	Quantity / Unit	Price Each
-------------	------	------	-----------------	------------

### Brass Press Connection Male Thread

Press-Connection MT	16 x 3/8" MT	BFB 20012	10	£4.92
Press-Connection MT	16 x 1/2" MT	BFB 20010	10	£5.41
Press-Connection MT	16 x 3/4" MT	BFB 20014	10	£7.77
Press-Connection MT	20 x 1/2" MT	BFB 20030	10	£6.17
Press-Connection MT	20 x 3/4" MT	BFB 20031	10	£7.29
Press-Connection MT	20 x 1" MT	BFB 20032	10	£12.50
Press-Connection MT	25 x 3/4" MT	BFB 20040	10	£9.53
Press-Connection MT	25 x 1" MT	BFB 20041	10	£13.53
Press-Connection MT	32 x 1" MT	BFB 20050	10	£14.94
Press-Connection MT	32 x 1 1/4" MT	BFB 20051	8	£21.62
Press-Connection MT	40 x 1 1/4" MT	BFB 20060	1	£20.94
Press-Connection MT	40 x 1 1/2" MT	BFB 20061	1	£22.86
Press-Connection MT	50 x 1 1/2" MT	BFB 20070	1	£23.55
Press-Connection MT	50 x 2" MT	BFB 20071	1	£49.53
Press-Connection MT	63 x 2" MT	BFB 20080	1	£63.21
Press-Connection MT	75 x 2 1/2" MT	BFB 20090	1	£91.36

Male Thread Connection



### Brass Press Connection Female Thread

Press-Connection FT	16 x 1/2" FT	BFB 21010	10	£5.49
Press-Connection FT	20 x 1/2" FT	BFB 21030	10	£5.89
Press-Connection FT	20 x 3/4" FT	BFB 21031	10	£7.85
Press-Connection FT	20 x 1" FT	BFB 21032	10	£18.34
Press-Connection FT	25 x 3/4" FT	BFB 21040	10	£10.17
Press-Connection FT	25 x 1" FT	BFB 21041	10	£13.22
Press-Connection FT	32 x 1" FT	BFB 21050	10	£27.35
Press-Connection FT	32 x 1 1/4" FT	BFB 21051	10	£27.91
Press-Connection FT	40 x 1 1/4" FT	BFB 21061	1	£25.29
Press-Connection FT	40 x 1 1/2" FT	BFB 21062	1	£35.20
Press-Connection FT	50 x 1 1/2" FT	BFB 21071	1	£30.63
Press-Connection FT	63 x 2" FT	BFB 21080	1	£57.23
Press-Connection FT	75 x 2 1/2" FT	BFB 21090	1	£113.14

Female Thread Connection



### Brass Press Connection 90° Male Thread

Press-elbow 90° MT	16 x 1/2" MT	BFB 23015	10	£6.49
Press-elbow 90° MT	16 x 3/8" MT	BFB 23012	10	£7.21
Press-elbow 90° MT	20 x 1/2" MT	BFB 23035	10	£7.37
Press-elbow 90° MT	20 x 3/4" MT	BFB 23037	10	£9.85
Press-elbow 90° MT	25 x 3/4" MT	BFB 23045	10	£12.54
Press-elbow 90° MT	25 x 1" MT	BFB 23047	6	£19.03
Press-elbow 90° MT	32 x 1" MT	BFB 23055	6	£18.54

Male Thread 90° Connection



### Brass Press Connection 90° Female Thread

Press-elbow 90° FT	16 x 1/2" FT	BFB 23016	10	£6.33
Press-elbow 90° FT	20 x 1/2" FT	BFB 23036	10	£7.77
Press-elbow 90° FT	20 x 3/4" FT	BFB 23038	10	£10.70
Press-elbow 90° FT	25 x 3/4" FT	BFB 23046	10	£11.98
Press-elbow 90° FT	25 x 1" FT	BFB 23048	6	£18.22
Press-elbow 90° FT	32 x 1" FT	BFB 23056	6	£18.74

Female Thread 90° Connection



# Press Fittings - Brass

## Press Fittings - BSP Threaded Fittings

Description	Type	Code	Bag Quantity	Price Each
-------------	------	------	--------------	------------

### Brass Press Connection Female Swivel

Press-screw FT (swivel nut)	16 x 3/8" FT	BFB 28012	10	£5.89
Press-screw FT (swivel nut)	16 x 1/2" FT	BFB 28011	10	£6.09
Press-screw FT (swivel nut)	16 x 3/4" FT	BFB 28010	10	£7.06
Press-screw FT (swivel nut)	20 x 1/2" FT	BFB 28031	10	£9.53
Press-screw FT (swivel nut)	20 x 3/4" FT	BFB 28030	10	£10.49
Press-screw FT (swivel nut)	25 x 3/4" FT	BFB 28041	10	£13.58
Press-screw FT (swivel nut)	25 x 1" FT	BFB 28040	10	£15.54
Press-screw FT (swivel nut)	32 x 1" FT	BFB 28051	8	£23.11
Press-screw FT (swivel nut)	32 x 1 1/4" FT	BFB 28050	8	£21.99
Press-screw FT (swivel nut)	40 x 1 1/2" FT	BFB 28060	1	£34.84
Press-screw FT (swivel nut)	50 x 2" FT	BFB 28070	1	£49.90

Detachable fitting for the surface-mounted connection of filters and valves.

### Brass Press Connection Female Swivel 90°

Press-elbow 90° FT	16 x 1/2" FT	BFB 23013	10	£10.33
--------------------	--------------	-----------	----	--------

Detachable fitting for the surface-mounted connection of filters and valves.

### Brass Press Tee Female Thread

Press-Tee FT	16 x 1/2" x 16	BFB 25015	10	£10.70
Press-Tee FT	20 x 1/2" x 20	BFB 25035	10	£13.26
Press-Tee FT	20 x 3/4" x 20	BFB 25038	10	£16.02
Press-Tee FT	25 x 1/2" x 25	BFB 25045	4	£17.30
Press-Tee FT	25 x 3/4" x 25	BFB 25046	4	£18.06
Press-Tee FT	32 x 3/4" x 32	BFB 25055	4	£23.91
Press-Tee FT	32 x 1/2" x 32	BFB 25056	4	£22.03
Press-Tee FT	40 x 1" x 40	BFB 25066	1	£41.80
Press-Tee FT	50 x 1" x 50	BFB 25075	1	£52.84
Press-Tee FT	63 x 1" x 63	BFB 25085	1	£119.81
Press-Tee FT	75 x 1" x 75	BFB 25095	1	£220.35

### Brass Press Single Wingback

Press-Wingback Single Elbow	16 x 1/2" FT	BFB 29010	10	£9.85
Press-Wingback Single Elbow	20 x 1/2" FT	BFB 29030	10	£11.57
Press-Wingback Single Elbow	20 x 3/4" FT	BFB 29031	10	£14.74

Brass  
Female Swivel



Brass  
Female Swivel 90°



Tee  
Female Thread



Brass  
Elbow 45°



# Press Fittings - Brass

Description	Type	Code	Bag Quantity	Price Each
<b>Brass Press Double Wingback</b>				
Press-Wingback Double Elbow	16 x 1/2" FT	BFB 29010	8	£20.78
Press-Wingback Double Elbow	20 x 1/2" FT	BFB 29030	6	£22.67

Brass Elbow 45°



## Press Fittings - Lever Valves

### Press Lever Valves

Press Lever Valve	16mm	BFB 60016	1	£26.42
Press Lever Valve	20mm	BFB 60020	1	£35.74
Press Lever Valve	25mm	BFB 60025	1	£39.81
Press Lever Valve	32mm	BFB 60032	1	£61.24
Press Lever Valve	40mm	BFB 60040	1	£93.74
Press Lever Valve	50mm	BFB 60050	1	£156.70
Press Lever Valve	63mm	BFB 60063	1	£218.04

Press Lever Valve



## Press Fittings - Radiator Connections

### Radiator Connection Elbow

Radiator Connection Elbow	16 x 330mm	BFB 23510	2	£19.03
Radiator Connection Elbow	16 x 150mm	BFB 23509	2	£17.62

Press Radiator Elbow



### Radiator Connection Tee

Radiator Connection Tee	16 x 330mm	BFB 25510	2	£20.38
Radiator Connection Tee	20 x 330mm	BFB 25530	2	£23.43

Press Radiator Tee



## Press Fittings - End Cap

### Radiator Connection Elbow

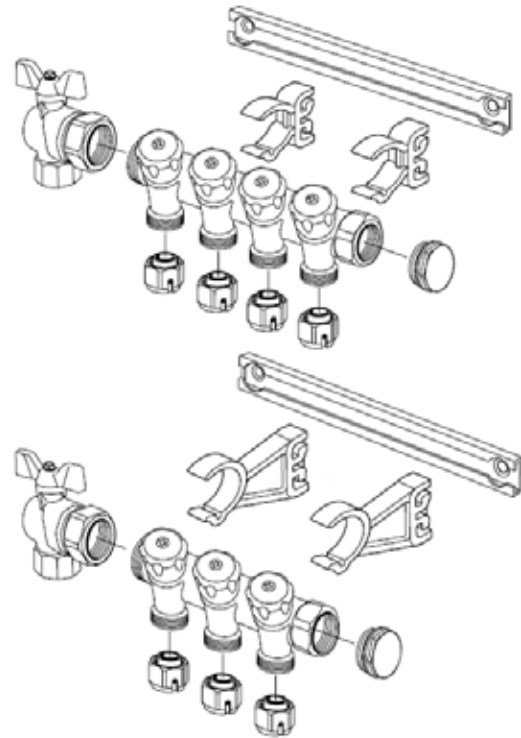
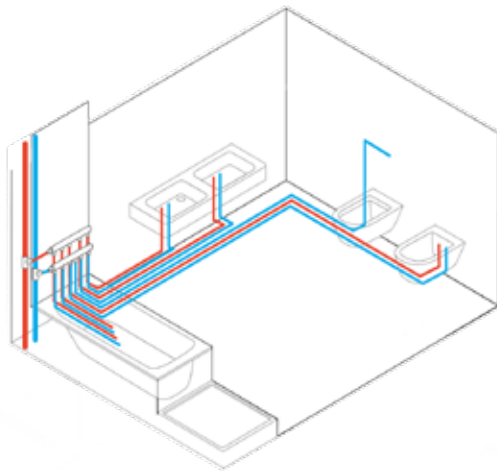
Press End Cap	16mm	BFB 29510	10	£3.61
Press End Cap	20mm	BFB 29530	10	£5.01
Press End Cap	25mm	BFB 29540	10	£5.81
Press End Cap	32mm	BFB 29550	10	£7.81

Press End Cap



# Plumbing Manifolds

## WRAS Approved Plumbing Manifolds



Description	Type	Code	Bag Quantity	Price Each
<b>Manifold Components</b>				
Manifold with Isolating Taps 2 way	2 way - 3/4"	BFB01307260	1	£26.47
Manifold with Isolating Taps 3 way	3 way - 3/4"	BFB01307265	1	£37.45
Manifold with Isolating Taps 4 way	4 way - 3/4"	BFB01307270	1	£49.56
Manifold with Isolating Taps 2 way	2 way - 1"	BFB01307280	1	£27.44
Manifold with Isolating Taps 3 way	3 way - 1"	BFB01307285	1	£38.90
Manifold with Isolating Taps 4 way	4 way - 1"	BFB01307290	1	£51.68
Bridging Piece for Sanitary Manifold	3/4"	BFB01307200	1	£7.05
Bridging Piece for Sanitary Manifold	1"	BFB01307210	1	£6.30
Blanking Plug with o-ring seal	3/4"	BFB90004820	1	£2.90
Blanking Plug with o-ring seal	1"	BFB90004830	1	£3.87
Plastic Brackets 3/4"	3/4"	BFB01302140	1	£1.44
Plastic Brackets 1"	1"	BFB01302150	1	£1.44
Aluminium Slider Rail for Bracket	200mm	BFB1306398	1	£13.82
Aluminium Slider Rail for Bracket	400mm	BFB1306400	1	£21.21
Isolation Valves - Straight	3/4"	BFB9723R005	1 Pair	£44.06
Isolation Valves - Straight	1"	BFB6062R006	1 Pair	£65.32
Isolation Valves - Angle	3/4"	BFB9745R005	1 Pair	£49.20
Isolation Valves - Angle	1"	BFB6064R006	1 Pair	£75.18
MLC Pipe Connector 6x2mm	24 x 19 Thread	BFB28100358	1	£3.97
(Must be use with above Manifolds)				





# Modular System

## Modular System 25mm to 110mm

Description	Type	Code	Bag Quantity	Price Each
<b>Modular Pipe Adaptors</b>				
Modular Adaptor - 25mm	25 x 2.5mm	BFB 22025	1	£63.13
Modular Adaptor - 32mm	32 x 3mm	BFB 22032	1	£71.60
Modular Adaptor - 40mm	40 x 4mm	BFB 22040	1	£80.01
Modular Adaptor - 50mm	50 x 4.5mm	BFB 22050	1	£88.44
Modular Adaptor - 63mm	63 x 6mm	BFB 22063	1	£92.53
Modular Adaptor - 75mm	75 x 7.5mm	BFB 22075	1	£98.09
Modular Adaptor - 90mm	90x8.5mm	BFB 22090	1	£132.12
Modular Adaptor - 110mm	110x 10mm	BFB 22110	1	£158.15

Modular Pipe Adaptors



<b>Modular Pipe Fittings</b>				
Modular Elbow 90° c	Elbow 90°	BFB 23000	1	£98.09
Modular Elbow 45° c	Elbow 45°	BFB 23200	1	£132.12
Modular T-piece	Tee	BFB 25000	1	£158.15

Modular Fittings



<b>Base Body Male Thread Connector</b>				
Base Body MT Connector	2 1/2" MT	BFB 20212	1	£82.08
Base Body MT Connector	3" MT	BFB 20300	1	£90.09
Base Body MT Connector	4" MT	BFB 20400	1	£307.45

Modular Male Connector



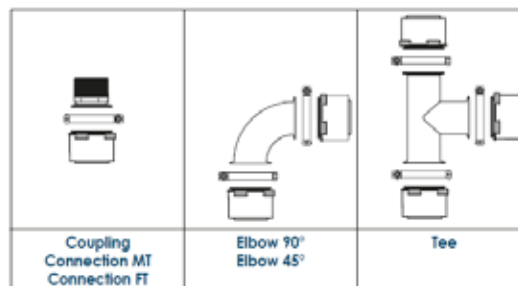
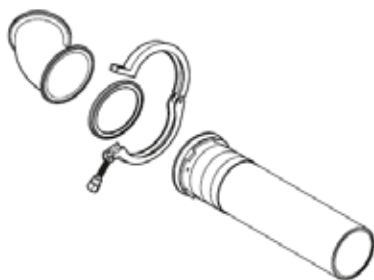
<b>Base Body Female Thread Connector</b>				
Base Body FT Connector	3/4" FT	BFB 21034	1	£55.05
Base Body FT Connector	2" FT	BFB 21200	1	£66.07
Base Body FT Connector	2 1/2" FT	BFB 21212	1	£74.07
Base Body FT Connector	3" FT	BFB 21300	1	£87.09

Modular Female Connector



<b>Modular Accessories</b>				
Blanking Cap		BFB 29500	1	£39.84
Gripper Clamp with Seal		BFB 28000	1	£24.42
Replacement Seal		BFB 28010	1	£4.41

Modular Gripper Clamp & Seal



## Tools

Description	Type	Code	Bag Quantity	Price Each
-------------	------	------	--------------	------------

### Pressure Test Plug

Pressure Test Plug	16mm x 1/2"	BFB 30315	1	£4.94
Pressure Test Plug	20mm x 1/2"	BFB 30335	1	£5.67

Pressure Test Plug



### Reusable Pressure Test Plug

Pressure Test Plug	16mm	BFB 30310	1	£21.78
Pressure Test Plug	20mm	BFB 30330	1	£23.23
Pressure Test Plug	25mm	BFB 30340	1	£24.68
Pressure Test Plug	32mm	BFB 30350	1	£26.12

Reusable Pressure Test Plug



### 3 Size Bevelling Tool

3 Size Bevelling Tool	16/20/25	BFB 30280	1	£17.42
-----------------------	----------	-----------	---	--------

3 Way Bevelling Tool



### Bevelling Tool Set in Case

Bevelling Tool Set	16/20/25/32	BFB 30040	1	£114.66
--------------------	-------------	-----------	---	---------

Bevelling tool set 16 / 20 / 25 / 32 with quick change mechanism includes plastic case. Can be bevelled manually using the included handle or by inserting the bevellers into a combi-drill.

Bevelling Toolset in case



### Handle for Bevelling Inserts

Bevelling Handle	16/20/25/32	BFB 30050	1	£40.65
------------------	-------------	-----------	---	--------

Ergonomically designed handle with quick exchange mechanism for use of bevelling inserts 16 mm to 32 mm.

Bevelling Handle



### High Quality Bevelling Inserts

Insert	16mm	BFB 30110	1	£21.78
Insert	20mm	BFB 30130	1	£23.23
Insert	25mm	BFB 30140	1	£24.68
Insert	32mm	BFB 30150	1	£26.12

Single inserts for bevelling of multi-layer pipes in combination with the handle or for faster operation use with a combi-drill.

Bevelling Handle



\* Tools are non-discountable

# Tools

## Tools

Description	Type	Code	Quantity / Unit	Price Each
-------------	------	------	-----------------	------------

### Large Diameter Bevelling Tool

Bevelling Tool	40mm	BFB 30160	1	£29.03
Bevelling Tool	50mm	BFB 30170	1	£33.39
Bevelling Tool	63mm	BFB 30180	1	£42.09
Bevelling Tool	75mm	BFB 30190	1	£55.16

Large Bevelling Tool



### For cutting MLC Pipes up to 20mm

Pipe cutter	Upto 20mm	BFB 30020	1	£47.25
Replacement Blade		BFB 30025	1	£10.67

Pipe Cutter up to 20mm



### For cutting MLC Pipes up to 32mm (RATCHET)

Pipe cutter	Upto 32mm	BFB 30022	1	£18.14
-------------	-----------	-----------	---	--------

Pipe Cutter up to 32mm



### For cutting MLC Pipes up to 110mm

Pipe cutter	20 - 63mm	BFB 30030	1	£69.67
Pipe cutter	50 - 110mm	BFB 30031	1	£197.34
Replacement Cutting Disc	20 - 63mm	BFB 30035	1	£15.04
Replacement Cutting Disc	50 - 110mm	BFB 30036	1	£21.79

Pipe Cutter up to 110mm



### Internal Bending Spring

Internal Bending Spring	16mm	BFB 32010	1	£6.53
Internal Bending Spring	20mm	BFB 32030	1	£8.72
Internal Bending Spring	25mm	BFB 32040	1	£12.34

Internal Bending Spring



### External Bending Spring

External Bending Spring	16mm	BFB 32110	1	£8.72
External Bending Spring	20mm	BFB 32130	1	£13.06
External Bending Spring	25mm	BFB 32140	1	£17.42

External Bending Spring



\* Tools are non-discountable

## Large Press Gun - 16mm - 110mm

Description	Type	Code	Bag Quantity	Price Each
-------------	------	------	--------------	------------

### Large Battery Pressing Tool

Large Press Tool	16mm - 110mm	BFB 30005	1	£1,159.60
------------------	--------------	-----------	---	-----------

Supplied in carrying case, including battery and charger unit. For dimensions 16 - 75mm, with a rotating pressing jaw. Weight of the machine approx. 4.5 kg.

Large Pressing Tool  
(16mm - 110mm)



### Large Pressing Jaws

Large Press Jaw - U Profile	16mm	BFB 31010	1	£91.43
Large Press Jaw - U Profile	20mm	BFB 31030	1	£91.43
Large Press Jaw - U Profile	25mm	BFB 31040	1	£100.15
Large Press Jaw - U Profile	32mm	BFB 31050	1	£116.11
Large Press Jaw - U Profile	40mm	BFB 31060	1	£142.23
Large Press Jaw - U Profile	50mm	BFB 31070	1	£159.65
Large Press Jaw - U Profile	63mm	BFB 31080	1	£377.34
Large Press Jaw - U Profile	75mm	BFB 31090	1	£943.35

Large Press  
Jaws



### Press Jaw Adaptor

Jaw Adaptor for 75 - 110mm Jaws		BFB 30040	1	£232.22
---------------------------------	--	-----------	---	---------

Press Jaw  
Adaptor



### Large Diameter Press Chains

Large Press Jaw Chain - U Profile	75mm	BFB 31175	1	£674.86
Large Press Jaw Chain - U Profile	90mm	BFB 31190	1	£849.02
Large Press Jaw Chain - U Profile	110mm	BFB 31110	1	£950.61

Large Press  
Chains



### Replacement Battery

Replacement Battery	Battery	BFB 30008	1	£129.17
---------------------	---------	-----------	---	---------

Replacement  
Battery



\* Tools are non-discountable

## Mini Press Gun 16mm - 32mm

Description	Type	Code	Bag Quantity	Price Each
-------------	------	------	--------------	------------

### Mini Battery Pressing Tool

Mini Press Tool	16mm - 32mm	BFB 30006	1	£850.74
-----------------	-------------	-----------	---	---------

Supplied in carrying case, including battery and charger unit. For dimensions 16 - 32mm, with a rotating pressing jaw. Weight of the machine approx. 2.5 kg.

Mini Pressing Tool (16mm - 32mm)



### Mini Pressing Tool Deal

Mini Press Tool Deal - 2		TD002	1	£999.99
Mini Press Gun Inc Case, battery & charger			1	
Mini Press Jaw - U Profile	16mm		1	
Mini Press Jaw - U Profile	20mm		1	
Mini Press Jaw - U Profile	25mm		1	
Mini Press Jaw - U Profile	32mm		1	

Mini Press Tool Deal 2



### Mini Pressing Tool Deal

Mini Press Tool Deal - 1		TD003	1	£1075.00
Mini Press Gun Inc Case, battery & charger			1	
Mini Press Jaw - U Profile	16mm		1	
Mini Press Jaw - U Profile	20mm		1	
Mini Press Jaw - U Profile	25mm		1	
Mini Press Jaw - U Profile	32mm		1	
Bevelling Tool Set	16/20/25/32	See Page 17	1	

Mini Press Tool Deal 3



### Mini Pressing Jaws

Mini Press Jaw - U Profile	16mm	BFB 31310	1	£87.09
Mini Press Jaw - U Profile	20mm	BFB 31330	1	£87.09
Mini Press Jaw - U Profile	25mm	BFB 31340	1	£97.24
Mini Press Jaw - U Profile	32mm	BFB 31350	1	£105.96

Mini Press Jaws



### Replacement Battery

Replacement Battery	Battery	BFB 30009	1	129.17
---------------------	---------	-----------	---	--------

Replacement Battery



\* Tools are non-discountable



*This certifies that*

**FIRMOPRESS LTD.**

---

*has had the undermentioned product(s) examined, tested and certified as being of an appropriate quality and standard as required in the Water Supply (Water Fittings) Regulations and Scottish Water Byelaws, subject to scheme requirements being met when installed.*

*Model Numbers*

**FIRMOPRESS RANGE OF BRASS PRESS CONNECTION FITTINGS FOR USE WITH  
FIRMOPRESS MULTILAYER PIPE (PE-RT/AL/PE-RT): 16-75MM  
(FOR MODELS AND SIZES COVERED BY THE SCOPE OF THE APPROVAL PLEASE  
CONSULT THE ONLINE WRAS DIRECTORY AND/OR ACCOMPANYING WRAS APPROVAL  
LETTER)**

*The certificate by itself is not evidence of a valid WRAS Approval. Confirmation of the current status of an approval must be obtained from the WRAS Approvals Directory ([www.wras.co.uk/directory](http://www.wras.co.uk/directory))*

---

*The product so mentioned will be valid until the end of:*

**June 2024**

*Certificate No.*

**1906141**

A handwritten signature in blue ink, appearing to read 'Ian Hughes', written over a light blue horizontal line.

Ian Hughes,  
WRAS Approvals Manager

# Terms & Conditions

## LUXUSHEAT LTD TERMS AND CONDITIONS FOR THE SALE OF GOODS

### Definitions

Buyer the person who buys or agrees to buy the goods from the Seller.

Conditions the terms and conditions of sale as set out in this document and any special terms and conditions agreed in writing by the Seller.

Goods & Services the articles which the Buyer agrees to buy from the Seller.

Price the price for the Goods, excluding VAT and any carriage, packaging and insurance costs.

Seller Luxusheat Ltd , 20 William Street , Leicester , LE1 1RW

### 2. Conditions

2.1 These Conditions shall form the basis of the contract between the Seller and the Buyer in relation to the sale of Goods, to the exclusion of all other terms and conditions including the Buyer's standard conditions of purchase or any other conditions which the Buyer may purport to apply under any purchase order or confirmation of order or any other document.

2.2 All orders for Goods shall be deemed to be an offer by the Buyer to purchase Goods from the Seller pursuant to these Conditions.

2.3 Acceptance of delivery of the Goods shall be deemed to be conclusive evidence of the Buyer's acceptance of these Conditions.

2.4 These Conditions may not be varied except by the written agreement of [a director of] the Seller.

2.5 These Conditions represent the whole of the agreement between the Seller and the Buyer. They supersede any other conditions previously issued.

### 3. Price

3.1 The Price shall be the price quoted on the Seller's order confirmation. The Price is exclusive of VAT which shall be due at the rate in force on the date of the Seller's invoice.

3.2 Any Typo, clerical or other error in any sales literature, quote, price list, invoice or any other document or information used by the company shall be subject to correction with liability on the part of the company

3.3 The company is entitled to make delivery by instalments against any order it accepts from the buyer these terms and conditions shall apply to each instalment delivery and any claim by the buyer in respect of any one or more of the instalments shall not entitle the buyer to treat the contract as a whole as repudiated

### 4. Payment and Interest

4.1 Payment of the Price and VAT shall be due within 30 days of the date of the Seller's invoice.

4.2 The Buyer shall pay all accounts in full and not exercise any rights of set-off or counter-claim against invoices submitted by the Seller.

4.3 If the buyer fails to make payment by the due date the company may suspend any further deliveries to the buyer and at the company's discretion interest will be charged at 4% over the base rate of NatWest bank from the date payment was due until including the date the payment was made

4.4 If the buyer does not meet the conditions of payment, or in case of reasonable doubts about the buyers credit worthiness or the buyer makes any voluntary arrangements with its creditors, becomes bankrupt, becomes subject of an administration order or goes into liquidation the company may cancel any outstanding contract with the buyer and all outstanding invoices of the buyers account will become due

### 5. Goods & Services

5.1 The quantity and description of the Goods shall be as set out in the Seller's confirmation of order.

5.2 The company may make any changes in the specification of the goods and or services which are required to conform to any applicable statutory or EC requirement or which do not materially affect their quality or performance

5.3 All drawings, designs, specifications, quotes and other information provided by the company are confidential and all rights of copyright shall remain the property of the company and shall not pass to the buyer

5.4 All specifications, drawing and descriptions and particulars of layouts and dimensions submitted by the company are deemed approximate only and descriptions and illustrations in the company's price list and other advertising matter shall not form any part of a contract

### 6. Warranties

6.1 The Seller warrants that the Goods will at the time of delivery correspond to the description given by the Seller in the confirmation of order. [Except where the Buyer is dealing as a consumer (as defined in section 12 of the Unfair Contract Terms Act 1977), all other warranties, conditions or terms relating to fitness for purpose, quality or condition of the Goods are excluded].

6.2 Subject to the exclusions set out in 6.3 below, the Company confirms the goods will correspond with their specification at the time of delivery and will be free from defect in material and workmanship from the date of delivery for 12 months

6.3 The company shall be under no liability in respect of any defect in the goods arising from any drawing, design or specification supplied by the buyer

6.4 The company shall be under no liability in respect of any defect arising from fair wear and tear , wilful damage , negligence , abnormal working conditions , failure to follow the company's instructions ( whether oral or in writing), misuse or alteration or repair of the goods without the company's written approval

6.5 Where the goods are returned by the buyer and accepted by the company as being defective the company shall at its option, either repair or replace the goods without cost to the buyer or allow the buyer a credit on their account. The company shall not be liable to the buyer for any claim by the buyer for any work done on or with the goods, loss of profit, or any loss, damage or cost to the buyer whatsoever. Other than the replacement cost of the goods and the buyer shall not be entitled to withhold payment by reason of defect

### 7. Delivery of the Goods

7.1 Delivery of the Goods shall be made to the Buyer's address. The Buyer shall make all arrangements necessary to take delivery of the Goods on the day notified by the Seller for delivery.

7.2 The Seller undertakes to use its reasonable endeavours to despatch the Goods on an agreed delivery date, but does not guarantee to do so. Time of delivery shall not be of the essence of the contract.

7.3 The Seller shall not be liable to the Buyer for any loss or damage whether arising directly or indirectly from the late delivery or short delivery of the Goods. If short delivery does take place, the Buyer undertakes not to reject the Goods but to accept the Goods delivered as part performance of the contract.

7.4 If the Buyer fails to take delivery of the Goods on the agreed delivery date or, if no specific delivery date has been agreed, when the Goods are ready for despatch, the Seller shall be entitled to store and insure the Goods and to charge the Buyer the reasonable costs of so doing.

### 8. Acceptance of the Goods

8.1 The Buyer shall be deemed to have accepted the Goods 24 hours after delivery to the Buyer.

8.2 The Buyer shall carry out a thorough inspection of the Goods within 24 hours of delivery and shall give written notification to the Seller within 3 working days of delivery of the Goods of any defects or shortages which a reasonable examination would have revealed.

8.3 Where the Buyer has accepted, or has been deemed to have accepted, the Goods the Buyer shall not be entitled to reject Goods which are not in accordance with the contract.

### 9. Title and risk

9.1 Risk shall pass on delivery of the Goods to the Buyer's address.

9.2 Notwithstanding the earlier passing of risk, title in the Goods shall remain with the Seller and shall not pass to the Buyer until the amount due under the invoice for them has been paid in full.

9.3 The Seller may at any time before title passes and without any liability to the Buyer:

9.4.1 repossess and dismantle and use or sell all or any of the Goods and by doing so terminate the Buyer's right to use, sell or otherwise deal in them; and

9.4.2 for that purpose (or determining what if any Goods are held by the Buyer and inspecting them) enter any premises of or occupied by the Buyer.

9.5 The Seller may maintain an action for the price of any Goods notwithstanding that title in them has not passed to the Buyer.

### 10. Carriage of Goods

Carriage will be chargeable on;

1) Underfloor heating orders under £250 net

2) Plumbing orders under £500 net not including straight lengths of pipe

3) Plumbing orders under £1000 net including 5m straight lengths of pipe

4) Pre-insulated pipe orders £3000 nett.

5) Any order of any size on timed delivery (ie. pre 9am, pre12.0 etc.)

6) Any orders of any size for Saturday delivery

### 11. Force Majeure

The company shall not be liable to the buyer to the extent that fulfilment of its obligation to the buyer has been prevented , hindered or delayed by the force majeure as herein defined and without limiting the generality of the forgoing company shall be entitled to cancel any delivery in whole or part when it is delayed in or prevented from making delivery by strikes , lock outs , trade disputes or labour troubles or any cause beyond the company's control including without limitation act of god , regulation or request , fire , accident , war , riot , delay in transportation , inability to obtain adequate labour , materials or manufacturing facilities and the company shall not be bound to obtain in the market the goods with which to replace the goods , delivery of which has been cancelled as a result of said events.

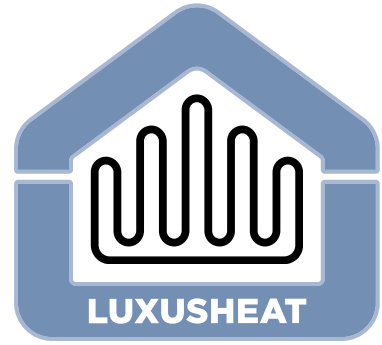
# Notes

---



# Notes

---



Unit 15, Stanier Rd, Broughton Astley  
LE9 6TW

**Call: 0116 251 4916**  
**sales@luxusheat.co.uk**

**www.luxusheat.co.uk**